

PARTS LIST

[MX-K1R]

* All printed circuit boards and its assemblies are not available as service parts.

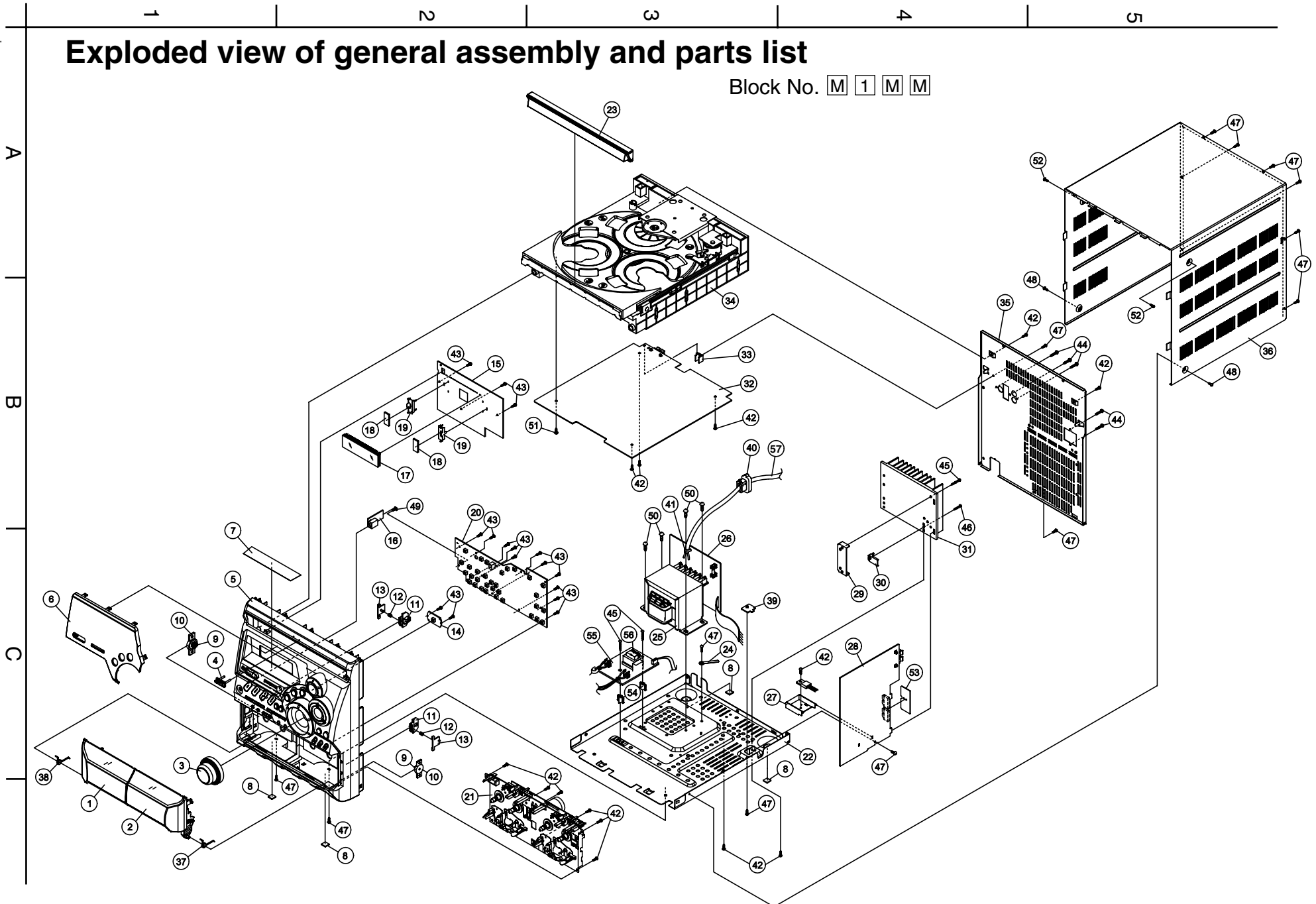
Area suffix	
B	U.K.
E	Continental Europe
EN	Northern Europe
EV	Eastern Europe
EE	Russia

- Contents -

Exploded view of general assembly and parts list	3-2
Cassette mechanism assembly and parts list	3-5
CD mechanism assembly and parts list	3-6
Electrical parts list	3-9
Packing materials and accessories parts list	3-21

Exploded view of general assembly and parts list

Block No. M 1 M M



Parts list (General assembly)

Block No. M1MM

△	Item	Parts number	Parts name	Q'ty	Description	Area
	1	GJA2031003001C	CASSETTE DOOR	1		
	2	GJA2032001001C	CASSETTE DOOR	1		
	3	GJ4A05303001B0	VOLUME KNOB	1		
	4	GJ460170330201	JVC MARK	1		
	5	GJA2020060001C	FRONT CABINET	1		
	6	GJ4C05316004C0	DISPLAY LENS	1		
	7	GJ772007940101	LABEL	1	MIRROR SHEET	
	8	GJ763000320106	FELT SHEET	4	10X10MM T=2MM	
	9	GJ660490020101	GEAR	2		
	10	GJ660490030101	GEAR BASE	2		
	11	GJ4D04048001A1	HOLDER LOCK	2		
	12	GJ422253701	SPRING	2	(LOCK) COMPRESS	
	13	GJ460400250101	DOOR HOLDER	2	LOCKER	
	14	-----	SWITCH PCB	1		
	15	-----	CONTROL PCB	1		
	16	-----	HEADPHONE MOUNT	1		
	17	GJ373020041000	FL DISPLAY	1	BJ828GNK	
	18	GJ793000150001	SPONGY	2	8X20XT0.8 MM W/	
	19	GJ560530400101	DISPLAY BRACKET	2		
	20	-----	SWITCH PCB	1		
	21	-----	CASSETTE MECHAN	1	(CMAT6Z216A)HI-	
	22	GJ560530200101	BOTTOM CASE	1		
	23	GJ4B05315001E0	CD FITTING	1		
	24	GJ727450540503	SOLDER TAG	1	M4.5X54X0.5MM	
△	25	GJ336660200013	POWER TRANSFORM	1	EI-66 AC 230V/2	
	26	-----	AC POWER PCB	1		
	27	GJ780000180100	HEAT SINK	1		
	28	-----	AMP PCB	1		
	29	GJ560170100101		1		
	30	GJ560170110101		1		
	31	GJ780000340100	HEAT SINK	1		
	32	-----	MAIN PCB	1		
	33	GJ560170040101	BRACKET PCB	1		
	34	-----	CD CHENGER MECH	1		
	35	GJ56053031010	REAR CASE	1		
		GJ56053031011	REAR CASE	1		EE
	36	GJ560530100101	TOP CASE	1		
	37	GJ711001850101	CASS DOORSRING	1	R	
	38	GJ711001840100	CASS DOORSRING	1	L	
	39	GJ560170290101	BRACKET OPENING	1		
	40	GJ796000030000	CORD BUSHING	1		
	41	GJ732000010101	CABLE TIE	1		
	42	GJ702244300810	SCREW	14	3X8 +BV TYPE P	
	43	GJ702244260810	SCREW	16	2.6X8 +BV TYPE	
	44	GJ702244301010	SCREW	5	3X10 +BV TYPE P	
	45	GJ702244301810	SCREW	3	3X18 +BV TYPE P	
	46	GJ702244301410	SCREW	1	3X14 +BV TYPE	
	47	GJ702244300610	SCREW	13	3X6 +BV TYPE P	

Parts list (General assembly)

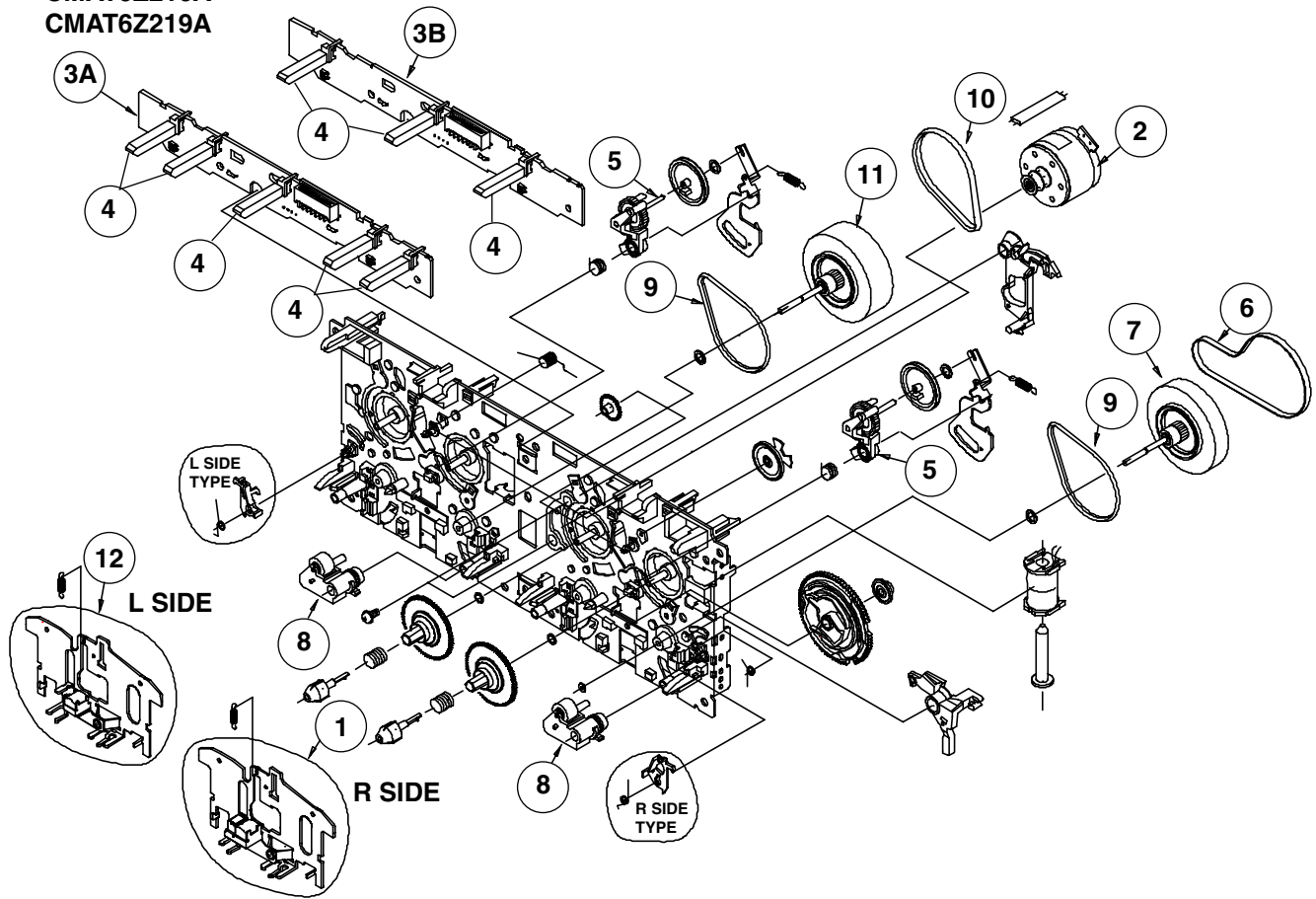
Block No. M1MM

△	Item	Parts number	Parts name	Q'ty	Description	Area
	48	GJ702244300650	SCREW	2	3X6 +BV TYPE P	
	49	GJ703260800100	SCREW	1	2.6X8 D10 +BW Z	
	50	GJ702264400610	SCREW	4	4X6 +PW=8 TYPE	
	51	GJ703300802000	SCREW	1	3X8 D=12 +BW ZI	
	52	GJ702244301050	SCREW	2	3X10 +BV TYPE P	
	53	GJ735000040003	MICA	1		
	54	GJ460490240101	MOUNTING POST	2		
	55	-----	SUB-POWER PCB	1	ASS'Y	
△	56	GJ336660100013	POWER TRANSF.	1		EE
△		GJ336280050113	POWER TRANSF.	1	EI-28 AC 230V 5	
△	57	GJ350252002119	POWER CORD	1		
△		GJ350432052119	POWER CORD	1		B

Cassette mechanism assembly and parts list

Block No. M 2 M M

CMAT6Z216A
CMAT6Z219A



Note: Parts listed on the Parts List below can be supplied. However, parts that are not listed below cannot be supplied individually but only by purchasing the whole Cassette Mechanism Assembly Unit. (When ordering, use the Parts No. CMAT6Z216A or CMAT6Z219A for Cassette Mechanism Assembly Unit.)

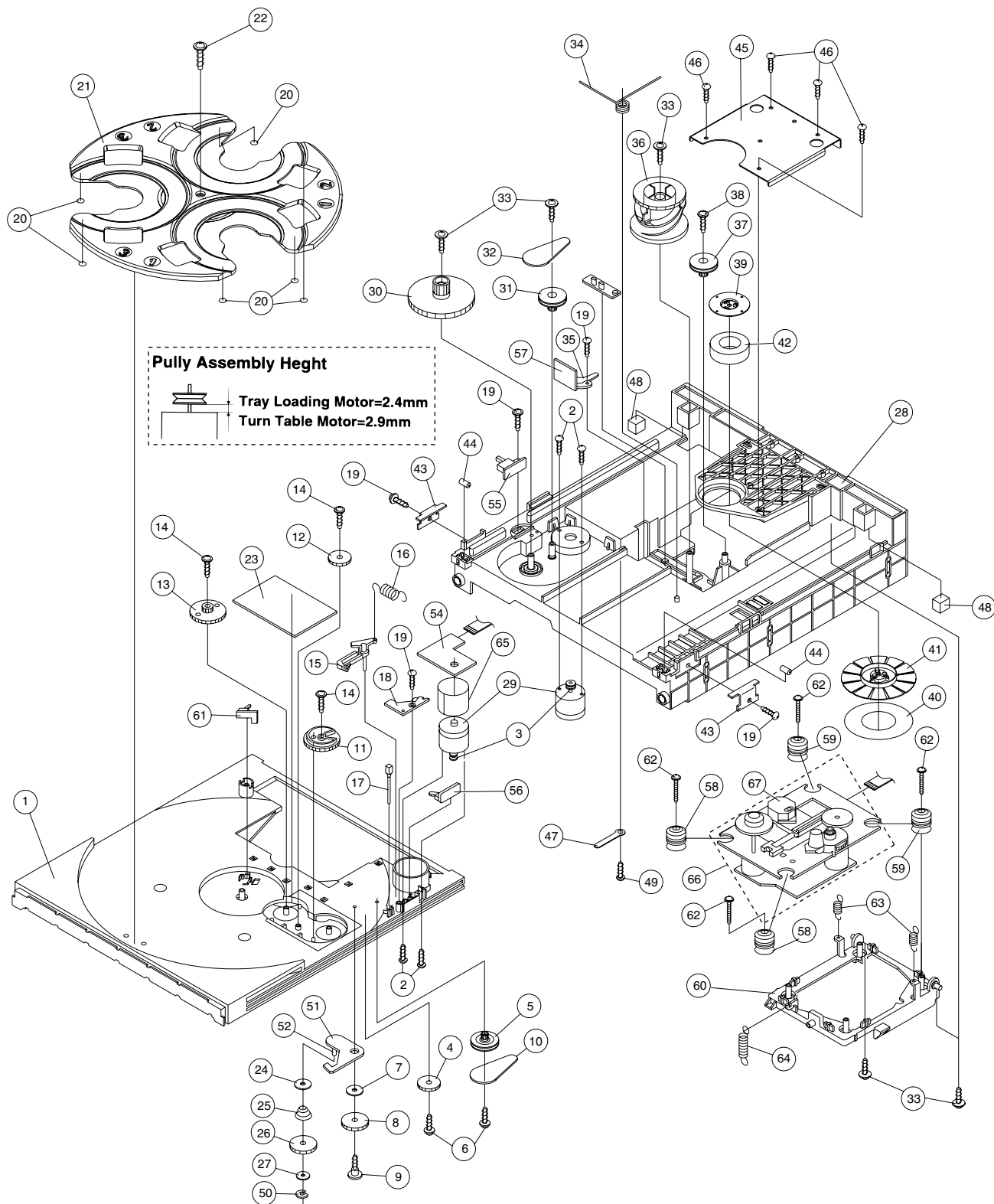
Parts list (Cassette mechanism)

Block No. M2MM

⚠	Item	Parts number	Parts name	Q'ty	Description	Area
	1	F513-858	PLATE HD BLK	1		
	2	F525-338	MTR MAIN BLK	1		
	3A	-----	PCB CONTROL BLK	1	CMAT6Z216A	
	3B	-----	PCB CONTROL BLK	1	CMAT6Z219A	
	4	UE20P-12	LEAF SWITCH	5	CMAT6Z216A	
		UE20P-12	LEAF SWITCH	3	CMAT6Z219A	
	5	F522-063	CLUTCH ASSY BLK	2		
	6	FF19U-12	MAIN BELT	1		
	7	FR25P-11	ASSY F/W	1		
	8	F514-135	ROLLER PINCH BLK R	2		
	9	FF19S-31	F/R BELT MO	2		
	10	FF19N-11	MAIN BELT	1		
	11	FR25R-11	ASSY F/W	1		
	12	F513-855	PLATE HD BLK	1		

CD changer mechanism assembly and parts list

Block No. M 3 M M



Parts list (CD changer mechanism)
Block No. M3MM

△	Item	Parts number	Parts name	Q'ty	Description	Area
	1	GJ4A0430201A1	TRAY	1		
	2	GJ701222260432	SCREW	4	M2.6 X 4	
	3	GJ4D01068100A1	MOTOR PULLEY	2	VE75984	
	4	GJ4D04300501A1	RELAY GEAR-A	1		
	5	GJ4D04301801A1	PULLEY GEAR	1		
	6	GJ700263260812	SCREW	2	2.6 X 8	
	7	GJ721271400500	METAL WASHER	1	2.7 X 14 X 0.5T	
	8	GJ4D04300601A1	RELAY GEAR-B	1		
	9	GJ703260000100	SCREW	1	SPECIAL	
	10	GJ560430010101	LOADING BELT	1		
	11	GJ4D04300901A1	TRAY LOCK GEAR	1		
	12	GJ4D04301001A1	RELAY GEAR-C	1		
	13	GJ4D04301101A1	TRAY GEAR	1		
	14	GJ700263260612	SCREW	3	2.6 X6	
	15	GJ4D04301301A2	S.S.W. LEVER	1	SENSOR	
	16	GJ711001630100	SPRING	1	SENSOR SWITCH	
	17	GJ460430220101	CUSHION RUBBER	1		
	18	GJ460430230101	GUIDE BRACKET	1	SENSOR SWICH	
	19	GJ70022320812	SCREW	5	2.6 X 8	
	20	GJ761000190100	CUSHION	6		
	21	GJ4A04300101A1	TURRETTO	1		
	22	GJ700263261042	SCREW	1	2.6 X 10 BLACK	
	23	GJ560430050101	BLIND SHEET	1		
	24	GJ729421400300	WASHER	1	4 X 14 X 0.3T	
	25	GJ711001620100	SPRING	1	CHANGER GEAR	
	26	GJ4D04300701A1	CHANGER GEAR	1		
	27	GJ721311000500	WASHER	1	3.1 X 10 X 0.5T	
	28	GJ4B04301201A2	MAINCHASSIS	1		
	29	GJ381020310004	MOTOR	2	TRAY MOTOR	
	30	GJ4L04301901A1	SLIDE GEAR	1		
	31	GJ4D04300401A1	GEAR PULLEY -A	1		
	32	GJ560430060101	GEAR BELT	1	LOADING	
	33	GJ703330800202	SCREW	5	3 X 8	
	34	GJ711001640100	SPRING	1	CAM BRACKET	
	35	GJ460430160101	SWITCH LEVER	1		
	36	GJ4D04301401A1	UD CAM GEAR	1		
	37	GJ4D04301501A1	UD REDUCE GEAR	1		
	38	GJ700264200812	SCREW	1	2 X 10	
	39	GJ793312711	CHUCKING YOKE	1		
	40	GJ763000440100	FELT	1	35 X 65 X 0.5T	
	41	GJ4A04301703A1	CLAMPER	1		
	42	GJ383000040100	MAGNET	1		
	43	GJ560430070101	RAIL GUIDE	2		
	44	GJ4D04302001A1	ROLLER	2		
	45	GJ560430100101	M.C. BRACKET	1	MAIN SHASSIS	
	46	GJ700221300510	SCREW	4	3 X 5	
	47	GJ560430110101	EARTH TERMINAL	1		
	48	GJ761000220100	CUSHION	2	12 X 8 X 5T	

■ Parts list (CD changer mechanism)

Block No. M3MM

△	Item	Parts number	Parts name	Q'ty	Description	Area
	49	GJ768564711	SCREW	1	3 X 10	
	50	GJ560430090101	E RING	1		
	51	GJA2039002001A	CHANGE PLATE	1		
	52	GJ560430030101	C. GEAR SHAFT	1		
	54	-----	SWITCH PWB	1	TURN TABLE	
	55	-----	SWITCH PWB	1	TRAY SWITCH	
	56	-----	SWITCH PWB	1	DISC COUNT	
	57	-----	SWITCH PWB	1	PICK-UP	
	58	GJ302237001	RUBBER CUSHION	1		
	59	GJ302237011	RUBBER CUSHION	1		
	60	GJ4004302101A1	MECHA BASE	1		
	61	GJ390170021204	SWITCH DIRECT	1		
	62	GJ700264261840	SCREW	1		
	63	GJ711001650100	SPRING	1		
	64	GJ711001660100	SPRING	1		
	65	GJ560400100101	SHIELD RING	1		
	66	EXL-M71-03	CD MECHA UNIT	1		
	67	OPTIMA-7B	PICK UP ASS'Y	1		

■ Electrical parts list (Main board)

Block No. 01

△	Item	Parts number	Parts name	Remarks	Area	△	Item	Parts number	Parts name	Remarks	Area
C 1		GJ264372232199	C.CAPACITOR	50V F Z 0.022U		C 85		GJ264142212199	C.CAPACITOR	50V B K 220PF	
C 2		GJ116223621	C.CAPACITOR	50V CH J 15PF		C 86		GJ270111070399	E.CAPACITOR	10V M 100UF	
C 3		GJ270111070399	E.CAPACITOR	10V M 100UF		C 87		GJ270192250399	E.CAPACITOR	50V VX M 2.2UF	
C 4		GJ111067121	C.CAPACITOR	47000PF F Z 50V		C 88		GJ264372232199	C.CAPACITOR	50V F Z 0.022U	
C 5		GJ264271032199	C.CAPACITOR	16V Y M 0.01UF		C 89		GJ264372232199	C.CAPACITOR	50V F Z 0.022U	
C 6		GJ111067121	C.CAPACITOR	47000PF F Z 50V		C 90		GJ270111070399	E.CAPACITOR	10V M 100UF	
C 7		GJ116223421	C.CAPACITOR	50V CH J 12PF		C 91		GJ264145612199	C.CAPACITOR	50V B K 560PF	
C 8		GJ264143912199	C.CAPACITOR	50V B K 390PF		C 92		GJ264141022199	C.CAPACITOR	50V B K 1000PF	
C 9		GJ264271032199	C.CAPACITOR	16V Y M 0.01UF		C 93		GJ264141022199	C.CAPACITOR	50V B K 1000PF	
C 9		GJ264033302199	C.CAPACITOR	50V SL J 33PF		C 102		GJ270191050399	E.CAPACITOR	50V VX M 1UF	
C 10		GJ116223421	C.CAPACITOR	50V CH J 12PF		C 103		GJ270191050399	E.CAPACITOR	50V VX M 1UF	
C 11		GJ270111070399	E.CAPACITOR	10V M 100UF		C 104		GJ270191050399	E.CAPACITOR	50V VX M 1UF	
C 12		GJ264271032199	C.CAPACITOR	16V Y M 0.01UF		C 105		GJ270191050399	E.CAPACITOR	50V VX M 1UF	
C 13		GJ264372232199	C.CAPACITOR	50V F Z 0.022U		C 106		GJ270144750399	E.CAPACITOR	25V VX M 4.7UF	
C 14		GJ116222921	C.CAPACITOR	50V CH J 5.6PF		C 108		GJ270144750399	E.CAPACITOR	25V VX M 4.7UF	
C 15		GJ116223821	C.CAPACITOR	50V CH J 18PF		C 109		GJ270144750399	E.CAPACITOR	25V VX M 4.7UF	
C 17		GJ270193350399	E.CAPACITOR	50V VX M 3.3UF		C 110		GJ283108232415	POL.CAPACITOR	50V K 0.082UF	
C 18		GJ116219921	C.CAPACITOR	50V SL J 10PF		C 111		GJ283108232415	POL.CAPACITOR	50V K 0.082UF	
C 19		GJ264372232199	C.CAPACITOR	50V F Z 0.022U		C 112		GJ283105622415	P.CAPACITOR	50V K 0.0056UF	
C 20		GJ270111070399	E.CAPACITOR	10V M 100UF		C 113		GJ283101242415	POL.CAPACITOR	50V K 0.12UF	
C 21		GJ264372232199	C.CAPACITOR	50V F Z 0.022U		C 114		GJ283101042415	POL.CAPACITOR	50V K 0.1UF	
C 22		GJ270114760399	E.CAPACITOR	10V M 47UF		C 115		GJ270111070399	E.CAPACITOR	10V M 100UF	
C 23		GJ270191050399	E.CAPACITOR	50V VX M 1UF		C 116		GJ270191050399	E.CAPACITOR	50V VX M 1UF	
C 24		GJ270194740399	E.CAPACITOR	50V VX M 0.47UF		C 202		GJ270191050399	E.CAPACITOR	50V VX M 1UF	
C 25		GJ270191050399	E.CAPACITOR	50V VX M 1UF		C 203		GJ270191050399	E.CAPACITOR	50V VX M 1UF	
C 26		GJ264141022199	C.CAPACITOR	50V B K 1000PF		C 204		GJ270191050399	E.CAPACITOR	50V VX M 1UF	
C 27		GJ264372232199	C.CAPACITOR	50V F Z 0.022U		C 205		GJ270191050399	E.CAPACITOR	50V VX M 1UF	
C 28		GJ264141022199	C.CAPACITOR	50V B K 1000PF		C 206		GJ270144750399	E.CAPACITOR	25V VX M 4.7UF	
C 29		GJ270144750399	E.CAPACITOR	25V VX M 4.7UF		C 208		GJ270144750399	E.CAPACITOR	25V VX M 4.7UF	
C 30		GJ264271032199	C.CAPACITOR	16V Y M 0.01UF		C 209		GJ270144750399	E.CAPACITOR	25V VX M 4.7UF	
C 31		GJ270141060399	E.CAPACITOR	25V VX M 10UF		C 210		GJ283108232415	POL.CAPACITOR	50V K 0.082UF	
C 32		GJ262671042499	C.CAPACITOR	16V Y F Z 0.1MF		C 211		GJ283108232415	POL.CAPACITOR	50V K 0.082UF	
C 33		GJ264264722199	C.CAPACITOR	16V X M 0.0047U		C 212		GJ283105622415	P.CAPACITOR	50V K 0.0056UF	
C 34		GJ264271032199	C.CAPACITOR	16V Y M 0.01UF		C 213		GJ283101242415	POL.CAPACITOR	50V K 0.12UF	
C 35		GJ283102232415	POL.CAPACITOR	50V K 0.022UF		C 214		GJ283101042415	POL.CAPACITOR	50V K 0.1UF	
C 36		GJ283102232415	POL.CAPACITOR	50V K 0.022UF		C 215		GJ270111070399	E.CAPACITOR	10V M 100UF	
C 37		GJ270192250399	E.CAPACITOR	50V VX M 2.2UF		C 216		GJ270191050399	E.CAPACITOR	50V VX M 1UF	
C 38		GJ270192250399	E.CAPACITOR	50V VX M 2.2UF		C 301		GJ264141022199	C.CAPACITOR	50V B K 1000PF	
C 39		GJ264262222199	C.CAPACITOR	16V X M 0.0022U		C 303		GJ270192250399	E.CAPACITOR	50V VX M 2.2UF	
C 40		GJ264262222199	C.CAPACITOR	16V X M 0.0022U		C 304		GJ264141022199	C.CAPACITOR	50V B K 1000PF	
C 41		GJ264271032199	C.CAPACITOR	16V Y M 0.01UF		C 305		GJ270121070399	E.CAPACITOR	16V VX M 100UF	
C 42		GJ264372232199	C.CAPACITOR	50V F Z 0.022U		C 306		GJ270114760399	E.CAPACITOR	10V M 47UF	
C 43		GJ270124760399	E.CAPACITOR	16V M 47UF		C 307		GJ116229321	C.CAPACITOR	50V B K 820PF	
C 44		GJ264271032199	C.CAPACITOR	16V Y M 0.01UF		C 308		GJ283101532415	POL.CAPACITOR	50V K 0.015UF	
C 45		GJ270122260399	E.CAPACITOR	16V M 22UF		C 309		GJ264271032199	C.CAPACITOR	16V Y M 0.01UF	
C 51		GJ116223421	C.CAPACITOR	50V CH J 12PF		C 310		GJ270121070399	E.CAPACITOR	16V VX M 100UF	
C 52		GJ116223421	C.CAPACITOR	50V CH J 12PF		C 311		GJ282031032499	M.CAPACITOR	50V J 0.01UF	
C 53		GJ270124760399	E.CAPACITOR	16V M 47UF		C 313		GJ264271032199	C.CAPACITOR	16V Y M 0.01UF	
C 54		GJ282031052499	M.CAPACITOR	50V J 1UF		C 314		GJ264271032199	C.CAPACITOR	16V Y M 0.01UF	
C 55		GJ283103922415	POL.CAPACITOR	50V K 0.0039UF		C 315		GJ264271032199	C.CAPACITOR	16V Y M 0.01UF	
C 56		GJ264141022199	C.CAPACITOR	50V B K 1000PF		C 316		GJ264271032199	C.CAPACITOR	16V Y M 0.01UF	
C 57		GJ264271032199	C.CAPACITOR	16V Y M 0.01UF		C 317		GJ270121070399	E.CAPACITOR	16V VX M 100UF	
C 58		GJ264141022199	C.CAPACITOR	50V B K 1000PF		C 318		GJ270144750399	E.CAPACITOR	25V VX M 4.7UF	
C 59		GJ270111070399	E.CAPACITOR	10V M 100UF		C 319		GJ270121080199	E.CAPACITOR	16V M 1000UF	
C 60		GJ264271032199	C.CAPACITOR	16V Y M 0.01UF		C 320		GJ264141512199	C.CAPACITOR	50V B K 150PF	
C 61		GJ264141012199	C.CAPACITOR	50V B K 100PF		C 321		GJ264141512199	C.CAPACITOR	50V B K 150PF	
C 62		GJ264141012199	C.CAPACITOR	50V B K 100PF		C 321		GJ283106822415	POL.CAPACITOR	50V K 0.0068UF	
C 63		GJ264141012199	C.CAPACITOR	50V B K 100PF		C 322		GJ264141512199	C.CAPACITOR	50V B K 150PF	
C 64		GJ116221521	C.CAPACITOR	50V SL J 47PF		C 323		GJ264271032199	C.CAPACITOR	16V Y M 0.01UF	
C 65		GJ264271032199	C.CAPACITOR	16V Y M 0.01UF		C 324		GJ270111070399	E.CAPACITOR	10V M 100UF	
C 81		GJ264142212199	C.CAPACITOR	50V B K 220PF		C 325		GJ270192250399	E.CAPACITOR	50V VX M 2.2UF	
C 82		GJ264271032199	C.CAPACITOR	16V Y M 0.01UF		C 326		GJ264271032199	C.CAPACITOR	16V Y M 0.01UF	
C 84		GJ264033302199	C.CAPACITOR	50V SL J 33PF		C 327		GJ270121060399	E.CAPACITOR	16V M 10UF	

■ Electrical parts list (Main board)

Block No. 01

△	Item	Parts number	Parts name	Remarks	Area	△	Item	Parts number	Parts name	Remarks	Area
	C 328	GJ270124760399	E.CAPACITOR	16V M 47UF			C 610	GJ270112270399	E.CAPACITOR	10V VX M 220UF	
	C 329	GJ264271032199	C.CAPACITOR	16V Y M 0.01UF			C 611	GJ262671042499	C.CAPACITOR	16V Y F Z 0.1MF	
	C 330	GJ264141012199	C.CAPACITOR	50V B K 100PF			C 612	GJ264372232199	C.CAPACITOR	50V F Z 0.022U	
	C 331	GJ270111070399	E.CAPACITOR	10V M 100UF			C 613	GJ264372232199	C.CAPACITOR	50V F Z 0.022U	
	C 332	GJ270124760399	E.CAPACITOR	16V M 47UF			C 614	GJ282031542399	C.CAPACITOR	0.15MF 5% 50V	
	C 334	GJ270191050399	E.CAPACITOR	50V VX M 1UF			C 615	GJ282031052499	M.CAPACITOR	50V J 1UF T-FM	
	C 335	GJ270144750399	E.CAPACITOR	25V VX M 4.7UF			C 616	GJ116223421	C.CAPACITOR	50V CH J 12PF	
	C 336	GJ270191050399	E.CAPACITOR	50V VX M 1UF			C 617	GJ116223421	C.CAPACITOR	50V CH J 12PF	
	C 337	GJ270124760399	E.CAPACITOR	16V M 47UF			C 618	GJ270191060399	E.CAPACITOR	10MF 20% 50V	
	C 338	GJ264372232199	C.CAPACITOR	50V F Z 0.022U			C 619	GJ262671042499	C.CAPACITOR	16V Y F Z 0.1MF	
	C 339	GJ264271032199	C.CAPACITOR	16V Y M 0.01UF			C 620	GJ262671042499	C.CAPACITOR	16V Y F Z 0.1MF	
	C 341	GJ264271032199	C.CAPACITOR	16V Y M 0.01UF			C 621	GJ270112270399	E.CAPACITOR	10V VX M 220UF	
	C 342	GJ264271032199	C.CAPACITOR	16V Y M 0.01UF			C 622	GJ270121060399	E.CAPACITOR	16V M 10UF	
	C 343	GJ270121080199	E.CAPACITOR	16V M 1000UF			C 624	GJ270114760399	E.CAPACITOR	10V M 47UF	
	C 344	GJ283101222415	POL.CAPACITOR	50V K 0.0012UF			C 626	GJ262671042499	C.CAPACITOR	16V Y F Z 0.1MF	
	C 345	GJ264271032199	C.CAPACITOR	16V Y M 0.01UF			C 627	GJ264033302199	C.CAPACITOR	50V SL J 33PF	
	C 346	GJ270121060399	E.CAPACITOR	16V M 10UF			C 628	GJ283103932415	POL.CAPACITOR	50V K 0.039UF	
	C 347	GJ264271032199	C.CAPACITOR	16V Y M 0.01UF			C 629	GJ111067121	C.CAPACITOR	47000PF F Z 50V	
	C 348	GJ264271032199	C.CAPACITOR	16V Y M 0.01UF			C 630	GJ264262222199	C.CAPACITOR	16V X M 0.0022U	
	C 349	GJ264372232199	C.CAPACITOR	50V F Z 0.022U			C 631	GJ270112270399	E.CAPACITOR	10V VX M 220UF	
	C 371	GJ264271032199	C.CAPACITOR	16V Y M 0.01UF			C 632	GJ111067121	C.CAPACITOR	47000PF F Z 50V	
	C 401	GJ264146812199	C.CAPACITOR	680PF BX 10% 5			C 633	GJ283101522415	POL.CAPACITOR	50V K 0.0015UF	
	C 402	GJ264146812199	C.CAPACITOR	680PF BX 10% 5			C 634	GJ264264722199	C.CAPACITOR	16V X M 0.0047U	
	C 403	GJ264033302199	C.CAPACITOR	50V SL J 33PF			C 635	GJ283101042415	POL.CAPACITOR	50V K 0.1UF	
	C 404	GJ283101832415	POL.CAPACITOR	50V K 0.018UF			C 636	GJ264372232199	C.CAPACITOR	50V F Z 0.022U	
	C 405	GJ270111070399	E.CAPACITOR	10V M 100UF			C 637	GJ282034742499	M.CAPACITOR	50V J 0.47UF	
	C 407	GJ270144750399	E.CAPACITOR	25V VX M 4.7UF			C 638	GJ262671042499	C.CAPACITOR	16V Y F Z 0.1MF	
	C 408	GJ270144750399	E.CAPACITOR	25V VX M 4.7UF			C 639	GJ270111070399	E.CAPACITOR	10V M 100UF	
	C 409	GJ264141022199	C.CAPACITOR	50V B K 1000PF			C 640	GJ264372232199	C.CAPACITOR	50V F Z 0.022U	
	C 410	GJ264263322199	C.CAPACITOR	16V X M 3300PF			C 642	GJ116219921	C.CAPACITOR	50V SL J 10PF	
	C 411	GJ270141060399	E.CAPACITOR	25V VX M 10UF			C 643	GJ264141012199	C.CAPACITOR	50V B K 100PF	
	C 413	GJ260771812499	C.CAPACITOR	50V SL J 180PF			C 644	GJ264372232199	C.CAPACITOR	50V F Z 0.022U	
	C 414	GJ264141022199	C.CAPACITOR	50V B K 1000PF			C 645	GJ264372232199	C.CAPACITOR	50V F Z 0.022U	
	C 415	GJ270144750399	E.CAPACITOR	25V VX M 4.7UF			C 646	GJ283102722415	POL.CAPACITOR	50V K 0.0027UF	
	C 417	GJ264144712199	C.CAPACITOR	50V B K 470PF			C 647	GJ283102722415	POL.CAPACITOR	50V K 0.0027UF	
	C 418	GJ264262222199	C.CAPACITOR	16V X M 0.0022U			C 648	GJ264372232199	C.CAPACITOR	50V F Z 0.022U	
	C 420	GJ264033302199	C.CAPACITOR	50V SL J 33PF			C 649	GJ270191060399	E.CAPACITOR	10MF 20% 50V	
	C 421	GJ264033302199	C.CAPACITOR	50V SL J 33PF			C 650	GJ270112270399	E.CAPACITOR	10V VX M 220UF	
	C 501	GJ264146812199	C.CAPACITOR	680PF BX 10% 5			C 651	GJ264372232199	C.CAPACITOR	50V F Z 0.022U	
	C 502	GJ264146812199	C.CAPACITOR	680PF BX 10% 5			C 652	GJ264143912199	C.CAPACITOR	50V B K 390PF	
	C 503	GJ264033302199	C.CAPACITOR	50V SL J 33PF			C 653	GJ264143912199	C.CAPACITOR	50V B K 390PF	
	C 504	GJ283101832415	POL.CAPACITOR	50V K 0.018UF			C 654	GJ283106822415	POL.CAPACITOR	50V K 0.0068UF	
	C 505	GJ270111070399	E.CAPACITOR	10V M 100UF			C 656	GJ264264722199	C.CAPACITOR	16V X M 0.0047U	
	C 507	GJ270144750399	E.CAPACITOR	25V VX M 4.7UF			C 658	GJ264143912199	C.CAPACITOR	50V B K 390PF	
	C 508	GJ270144750399	E.CAPACITOR	25V VX M 4.7UF			C 659	GJ264143912199	C.CAPACITOR	50V B K 390PF	
	C 509	GJ264141022199	C.CAPACITOR	50V B K 1000PF			C 660	GJ264141022199	C.CAPACITOR	50V B K 1000PF	
	C 510	GJ264263322199	C.CAPACITOR	16V X M 3300PF			C 661	GJ264141022199	C.CAPACITOR	50V B K 1000PF	
	C 511	GJ270141060399	E.CAPACITOR	25V VX M 10UF			C 673	GJ264141012199	C.CAPACITOR	50V B K 100PF	
	C 513	GJ260771812499	C.CAPACITOR	50V SL J 180PF			C 690	GJ264144712199	C.CAPACITOR	50V B K 470PF	
	C 514	GJ264141022199	C.CAPACITOR	50V B K 1000PF			C 797	GJ112427491	E.CAPACITOR	BIPOLAR 4.7MF 5	
	C 515	GJ270144750399	E.CAPACITOR	25V VX M 4.7UF			C 981	GJ262722232499	C.CAPACITOR	25V YF Z 0.022U	
	C 517	GJ264144712199	C.CAPACITOR	50V B K 470PF			C 982	GJ262722232499	C.CAPACITOR	25V YF Z 0.022	
	C 518	GJ264262222199	C.CAPACITOR	16V X M 0.0022U			C 983	GJ262722232499	C.CAPACITOR	25V YF Z 0.022	
	C 520	GJ264033302199	C.CAPACITOR	50V SL J 33PF			C 984	GJ262722232499	C.CAPACITOR	25V YF Z 0.022U	
	C 521	GJ264033302199	C.CAPACITOR	50V SL J 33PF			C 985	GJ270144770299	E.CAPACITOR	25V VX M 470UF	
	C 601	GJ282033342499	M.CAPACITOR	50V J 0.33UF			C 986	GJ270191050310	E. CAPACITOR	50V VX M 1UF	
	C 602	GJ264262222199	C.CAPACITOR	16V X M 0.0022U			C 987	GJ270111070310	E. CAPACITOR	10V M 100UF	
	C 603	GJ264262222199	C.CAPACITOR	16V X M 0.0022U			C 988	GJ262722232499	C.CAPACITOR	25V YF Z 0.022U	
	C 604	GJ264262222199	C.CAPACITOR	16V X M 0.0022U			CF 1	GJ178140611	FILTER	SFE10.7MS3G-A	
	C 605	GJ270112270399	E.CAPACITOR	10V VX M 220UF			CF 2	GJ178140611	FILTER	SFE10.7MS3G-A	
	C 606	GJ262671042499	C.CAPACITOR	16V Y F Z 0.1MF			CF 3	GJ178181711	DISCRIMINATOR	CDA10.7MG86N-	
	C 607	GJ264372232199	C.CAPACITOR	50V F Z 0.022U			CN301	GJ340022210102	CONNECTOR	P=1.25MM ST 21	
	C 608	GJ262671042499	C.CAPACITOR	16V Y F Z 0.1MF			CN302	GJ340022220102	CONNECTOR	P=1.25MM 22PI	

■ Electrical parts list (Main board)

Block No. 01

△	Item	Parts number	Parts name	Remarks	Area	△	Item	Parts number	Parts name	Remarks	Area
	CN305	GJ340022150102	CONNECTOR	P=1.25MM ST 15			IC402	GJ313070041101	IC	TC74HC4094AP	
	CN307	GJ345202030101	CONNECTOR	3PINS ST P=2MM			IC601	GJ313060841223	IC	MN662748RPMFA	
	CN308	GJ345202080101	CONNECTOR	P=2MM 8PIN ST			IC611	GJ313020851323	IC	AN22000A	
	CN601	GJ340122150102	CONNECTOR	P=1MM ST 15PIN			IC621	GJ313050221003	IC	BA5936S	
	CN602	GJ345201060101	WAFER	6PINS RA P=2MM			IC981	GJ313070011602	IC	UPC78L05J	
	CN603	GJ345202070101	CONNECTOR	7PINS ST P=2MM			J 301	GJ342030140109	JACK	RCA D=8.2MM 4PI	
	CN604	GJ340022050102	FFC CONNECTOR	5PIN P=1.25MM			JA302	GJ342060010111	JACK	D=9.5MM BLK 3B	
	CN605	GJ340021050109	CONNECTOR	5PIN P=1.25 MM			L 1	GJ241112792102	INDUCTOR	2.7UH 5% Q40	
	CN981	GJ340022040109	CONNECTOR	P=1.25MM ST 4P			L 2	GJ320050210105	IFT COIL	ANT MW BLACK	
	D 1	GJ310010220205	DIODE	1SS133T-77			L 3	GJ320050200205	IFT COIL	ANT LW WHITE	
	D 2	GJ310010220205	DIODE	1SS133T-77			L 4	GJ320010170105	IFT COIL	OSC MW ORANGE	
	D 3	GJ310010220205	DIODE	1SS133T-77			L 5	GJ320010160105	IFT COIL	OSC LW GREEN	
	D 4	GJ310010220205	DIODE	1SS133T-77			L 6	GJ241111502102	INDUCTOR	15UH 5% Q40	
	D 5	GJ310010220205	DIODE	1SS133T-77			L 8	GJ141052131	INDUCTOR	100UH 5% Q40	
	D 6	GJ310010220205	DIODE	1SS133T-77			L 12	GJ141052131	INDUCTOR	100UH 5% Q40	
	D 7	GJ310050270503	VARIABLE CAPA	KV1560NT TAPE			L 13	GJ141052131	INDUCTOR	100UH 5% Q40	
	D 50	GJ310010220205	DIODE	1SS133T-77			L 50	GJ241112212102	INDUCTOR	220UH 10% Q40	
	D 51	GJ310010220205	DIODE	1SS133T-77			L 301	GJ320060040105	COIL	10X10MM BLACK	
	D 52	GJ310010220205	DIODE	1SS133T-77			L 302	GJ371010100005	FERRITE BEAD	LGK0305TBA	
	D 53	GJ310010220205	DIODE	1SS133T-77			L 303	GJ371010100005	FERRITE BEAD	LGK0305TBA	
	D 301	GJ310010220205	DIODE	1SS133T-77			L 305	GJ241131001301	FERRITE BEAD	10UH (LAL 04 SK	
	D 302	GJ310010220205	DIODE	1SS133T-77			L 306	GJ371010100005	FERRITE BEAD	LGK0305TBA	
	D 305	GJ310020020104	DIODE	1N4001			L 307	GJ371010100005	FERRITE BEAD	LGK0305TBA	
	D 306	GJ310010220205	DIODE	1SS133T-77			L 601	GJ241111002102	INDUCTOR	10UH 5% Q40	
	D 307	GJ310030011705	ZENER DIODE	MTZJ-T-77-5.1A			L 980	GJ371020010003	TAB	CH3B-RH-13X15X	
	D 308	GJ310010220205	DIODE	1SS133T-77			LUG	GJ727400140301	TAB	SOLDERING TAP	
	D 309	GJ310010220205	DIODE	1SS133T-77			M 1	GJ381000350004	MOTOR	M31E-1 (TRAY M	
	D 310	GJ310010220205	DIODE	1SS133T-77			M 2	GJ381020310004	MOTOR	M31E-1 (TURN TA	
	D 311	GJ310010220205	DIODE	1SS133T-77			PUSW	GJ390070031204	PICK UP SWITCH	R8130178	
	D 312	GJ310010220205	DIODE	1SS133T-77			Q 1	GJ312030141210	TRANSISTOR	KTC3194 (O) (TA	
	D 313	GJ310010220205	DIODE	1SS133T-77			Q 2	GJ312030111210	TRANSISTOR	KTC3199TP-GR	
	D 314	GJ310010220205	DIODE	1SS133T-77			Q 3	GJ312030111210	TRANSISTOR	KTC3199TP-GR	
	D 321	GJ310010220205	DIODE	1SS133T-77			Q 4	GJ312011191210	TRANSISTOR	KRA107M	
	D 322	GJ310010220205	DIODE	1SS133T-77			Q 5	GJ312010331203	TRANSISTOR	DTC114YS-TP	
	D 325	GJ310010220205	DIODE	1SS133T-77			Q 6	GJ312010331203	TRANSISTOR	DTC114YS-TP	
	D 326	GJ310010220205	DIODE	1SS133T-77			Q 7	GJ312011191210	TRANSISTOR	KRA107M	
	D 327	GJ310010220205	DIODE	1SS133T-77			Q 8	GJ312011191210	TRANSISTOR	KRA107M	
	D 601	GJ310010220205	DIODE	1SS133T-77			Q 9	GJ312030111210	TRANSISTOR	KTC3199TP-GR	
	D 602	GJ310010220205	DIODE	1SS133T-77			Q 10	GJ312011231210	TRANSISTOR	KTA1267Y	
	D 605	GJ310020020104	DIODE	1N4001			Q 11	GJ312020035201	TRANSISTOR		
	D 606	GJ310020020104	DIODE	1N4001			Q 12	GJ312011191210	TRANSISTOR	KRA107M	
	D 607	GJ310020020104	DIODE	1N4001			Q 101	GJ312030111210	TRANSISTOR	KTC3199TP-GR	
	D 981	GJ310020020104	DIODE	1N4001			Q 201	GJ312030111210	TRANSISTOR	KTC3199TP-GR	
	D 982	GJ310020020104	DIODE	1N4001			Q 301	GJ312011191210	TRANSISTOR	KRA107M	
	D 983	GJ310020020104	DIODE	1N4001			Q 302	GJ312030131210	TRANSISTOR	KTC3200 (GR)	
	D 984	GJ310020020104	DIODE	1N4001			Q 303	GJ312030161210	TRANSISTOR	KTC3203Y (TAPE	
	D 985	GJ310010220205	DIODE	1SS133T-77			Q 304	GJ312011231210	TRANSISTOR	KTA1267Y	
	D 986	GJ310010220205	DIODE	1SS133T-77			Q 305	GJ312011321203	TRANSISTOR	DTC144ESA-TP	
	D 987	GJ310010220205	DIODE	1SS133T-77			Q 306	GJ312011321203	TRANSISTOR	DTC144ESA-TP	
	F 981	GJ369000620009	FUSE	1.25A 250V (-50			Q 307	GJ312010331203	TRANSISTOR	DTC114YS-TP	
	FB601	GJ371010100005	FERRITE BEAD	LGK0305TBA			Q 308	GJ312011321203	TRANSISTOR	DTC144ESA-TP	
	FF601	GJ353150100107	FFC/FPC CABLE	15PINS P=1MM L			Q 309	GJ312011251210	TRANSISTOR	KTA1273(Y)	
	FF603	GJ353150170107	CABLE	15PINS P=1.25MM			Q 310	GJ312030111210	TRANSISTOR	KTC3199TP-GR	
	FF604	GJ353050300107	CABLE	5PINS P=1.25MM			Q 311	GJ312011251210	TRANSISTOR	KTA1273(Y)	
	FF981	GJ353040250107	CABLE	P=1.25MM 4PIN			Q 312	GJ312030111210	TRANSISTOR	KTC3199TP-GR	
	FW303	GJ353110190107	CABLE FLAT	11PINS L=190MM			Q 313	GJ312011251210	TRANSISTOR	KTA1273(Y)	
	FW602	GJ354005690100	WIRE KIT	6PIN P=2.0MM			Q 314	GJ312010331203	TRANSISTOR	DTC114YS-TP	
	IC 1	GJ313010681106	IC	LA1833 DIP			Q 315	GJ312030111210	TRANSISTOR	KTC3199TP-GR	
	IC 2	GJ313070221000	IC	LC72136N			Q 316	GJ312030111210	TRANSISTOR	KTC3199TP-GR	
	IC 3	GJ313011141103	IC	BU1923 DIP			Q 317	GJ312030111210	TRANSISTOR	KTC3199TP-GR	
	IC101	GJ313070541318	IC	TDA7440D			Q 318	GJ312010331203	TRANSISTOR	DTC114YS-TP	
	IC102	GJ313010023103	IC	BA15218 DIP			Q 319	GJ312011921210	TRANSISTOR	KTA1270Y (TAPE)	
	IC401	GJ313080521101	IC	TA8189N			Q 321	GJ312010331203	TRANSISTOR	DTC114YS-TP	

■ Electrical parts list (Main board)

Block No. 01

△	Item	Parts number	Parts name	Remarks	Area
	Q 322	GJ312011191210	TRANSISTOR	KRA107M	
	Q 323	GJ312011191210	TRANSISTOR	KRA107M	
	Q 324	GJ312011191210	TRANSISTOR	KRA107M	
	Q 325	GJ312010331203	TRANSISTOR	DTC114YS-TP	
	Q 326	GJ312011191210	TRANSISTOR	KRA107M	
	Q 327	GJ312030131210	TRANSISTOR	KTC3200 (GR)	
	Q 328	GJ312011231210	TRANSISTOR	KTA1267Y	
	Q 401	GJ312020204203	TRANSISTOR	2SD2144S-TP	
	Q 402	GJ312020204203	TRANSISTOR	2SD2144S-TP	
	Q 403	GJ312030111210	TRANSISTOR	KTC3199TP-GR	
	Q 404	GJ312030111210	TRANSISTOR	KTC3199TP-GR	
	Q 405	GJ312030111210	TRANSISTOR	KTC3199TP-GR	
	Q 501	GJ312020204203	TRANSISTOR	2SD2144S-TP	
	Q 502	GJ312020204203	TRANSISTOR	2SD2144S-TP	
	Q 503	GJ312030111210	TRANSISTOR	KTC3199TP-GR	
	Q 504	GJ312030111210	TRANSISTOR	KTC3199TP-GR	
	Q 505	GJ312030111210	TRANSISTOR	KTC3199TP-GR	
	Q 601	GJ312011231210	TRANSISTOR	KTA1267Y	
	Q 602	GJ312010331203	TRANSISTOR	DTC114YS-TP	
	Q 981	GJ312010511203	TRANSISTOR	DTC144TSA	
	Q 982	GJ312010331203	TRANSISTOR	DTC114YS-TP	
	Q 983	GJ312010331203	TRANSISTOR	DTC114YS-TP	
	R 1	GJ250032202199	CARBON RESISTOR	1/4WM J 22	
	R 2	GJ250031022199	CARBON RESISTOR	1/4WM J 1K	
	R 3	GJ250031022199	CARBON RESISTOR	1/4WM J 1K	
	R 4	GJ250031032199	CARBON RESISTOR	1/4WM J 10K	
	R 5	GJ250031522199	CARBON RESISTOR	1/4WM J 1.5K	
	R 6	GJ250034722199	CARBON RESISTOR	1/4WM J 4.7K	
	R 7	GJ250034722199	CARBON RESISTOR	1/4WM J 4.7K	
	R 8	GJ250034712199	CARBON RESISTOR	1/4WM J 470	
	R 9	GJ250033312199	CARBON RESISTOR	1/4WM J 330	
	R 10	GJ250033332199	CARBON RESISTOR	1/4WM J 33K	
	R 11	GJ250032202199	CARBON RESISTOR	1/4WM J 22	
	R 12	GJ250033312199	CARBON RESISTOR	1/4WM J 330	
	R 13	GJ250031012199	CARBON RESISTOR	1/4WM J 100	
	R 14	GJ250035622199	CARBON RESISTOR	1/4WM J 5.6K	
	R 15	GJ250036822199	CARBON RESISTOR	1/4WM J 6.8K	
	R 16	GJ250031032199	CARBON RESISTOR	1/4WM J 10K	
	R 17	GJ250034732199	CARBON RESISTOR	1/4WM J 47K	
	R 18	GJ250031012199	CARBON RESISTOR	1/4WM J 100	
	R 19	GJ250033322199	CARBON RESISTOR	1/4WM J 3.3K	
	R 20	GJ250034722199	CARBON RESISTOR	1/4WM J 4.7K	
	R 21	GJ250031832199	CARBON RESISTOR	1/4WM J 18K	
	R 22	GJ250032232199	CARBON RESISTOR	1/4WM J 22K	
	R 23	GJ250036832199	CARBON RESISTOR	1/4WM J 68K	
	R 24	GJ250031532199	CARBON RESISTOR	1/4WM J 15K	
	R 25	GJ250035622199	CARBON RESISTOR	1/4WM J 5.6K	
	R 26	GJ250035622199	CARBON RESISTOR	1/4WM J 5.6K	
	R 27	GJ250034722199	CARBON RESISTOR	1/4WM J 4.7K	
	R 28	GJ250034722199	CARBON RESISTOR	1/4WM J 4.7K	
	R 29	GJ250034712199	CARBON RESISTOR	1/4WM J 470	
	R 30	GJ250033322199	CARBON RESISTOR	1/4WM J 3.3K	
	R 31	GJ250031032199	CARBON RESISTOR	1/4WM J 10K	
	R 32	GJ250031022199	CARBON RESISTOR	1/4WM J 1K	
	R 33	GJ25053301611	FUSE RESISTOR.	1/4W J 33	
	R 35	GJ250031032199	CARBON RESISTOR	1/4WM J 10K	
	R 51	GJ250031022199	CARBON RESISTOR	1/4WM J 1K	
	R 52	GJ250033322199	CARBON RESISTOR	1/4WM J 3.3K	
	R 53	GJ250034722199	CARBON RESISTOR	1/4WM J 4.7K	
	R 54	GJ250031822199	CARBON RESISTOR	1/4WM J 1.8K	
	R 55	GJ250034722199	CARBON RESISTOR	1/4WM J 4.7K	
	R 56	GJ250032222199	CARBON RESISTOR	1/4WM J 2.2K	
	R 57	GJ250033312199	CARBON RESISTOR	1/4WM J 330	

△	Item	Parts number	Parts name	Remarks	Area
	R 58	GJ250031032199	CARBON RESISTOR	1/4WM J 10K	
	R 59	GJ250031022199	CARBON RESISTOR	1/4WM J 1K	
	R 60	GJ250031022199	CARBON RESISTOR	1/4WM J 1K	
	R 61	GJ250031022199	CARBON RESISTOR	1/4WM J 1K	
	R 62	GJ250031022199	CARBON RESISTOR	1/4WM J 1K	
	R 63	GJ250034732199	CARBON RESISTOR	1/4WM J 47K	
	R 64	GJ250034732199	CARBON RESISTOR	1/4WM J 47K	
	R 65	GJ250034732199	CARBON RESISTOR	1/4WM J 47K	
	R 66	GJ250032232199	CARBON RESISTOR	1/4WM J 22K	
	R 67	GJ250032232199	CARBON RESISTOR	1/4WM J 22K	
	R 68	GJ250032222199	CARBON RESISTOR	1/4WM J 2.2K	
	R 69	GJ250031022199	CARBON RESISTOR	1/4WM J 1K	
	R 70	GJ250031022199	CARBON RESISTOR	1/4WM J 1K	
	R 71	GJ250031022199	CARBON RESISTOR	1/4WM J 1K	
	R 72	GJ250031022199	CARBON RESISTOR	1/4WM J 1K	
	R 75	GJ250034742199	CARBON RESISTOR	1/4WM J 470K	
	R 76	GJ250032222199	CARBON RESISTOR	1/4WM J 2.2K	
	R 77	GJ250032222199	CARBON RESISTOR	1/4WM J 2.2K	
	R 78	GJ250032222199	CARBON RESISTOR	1/4WM J 2.2K	
	R 79	GJ250031022199	CARBON RESISTOR	1/4WM J 1K	
	R 80	GJ250031022199	CARBON RESISTOR	1/4WM J 1K	
	R 101	GJ250033932199	CARBON RESISTOR	1/4WM J 39K	
	R 102	GJ250036822199	CARBON RESISTOR	1/4WM J 6.8K	
	R 103	GJ250032222199	CARBON RESISTOR	1/4WM J 2.2K	
	R 104	GJ250032222199	CARBON RESISTOR	1/4WM J 2.2K	
	R 105	GJ250031542199	CARBON RESISTOR	1/4WM J 150K	
	R 106	GJ250036822199	CARBON RESISTOR	1/4WM J 6.8K	
	R 108	GJ250031032199	CARBON RESISTOR	1/4WM J 10K	
	R 109	GJ250031222199	CARBON RESISTOR	1/4WM J 1.2K	
	R 110	GJ250032222199	CARBON RESISTOR	1/4WM J 2.2K	
	R 111	GJ250031032199	CARBON RESISTOR	1/4WM J 10K	
	R 112	GJ250035622199	CARBON RESISTOR	1/4WM J 5.6K	
	R 113	GJ250031032199	CARBON RESISTOR	1/4WM J 10K	
	R 114	GJ250031022199	CARBON RESISTOR	1/4WM J 1K	
	R 115	GJ250032232199	CARBON RESISTOR	1/4WM J 22K	
	R 201	GJ250033932199	CARBON RESISTOR	1/4WM J 39K	
	R 202	GJ250036822199	CARBON RESISTOR	1/4WM J 6.8K	
	R 203	GJ250032222199	CARBON RESISTOR	1/4WM J 2.2K	
	R 204	GJ250032222199	CARBON RESISTOR	1/4WM J 2.2K	
	R 205	GJ250031542199	CARBON RESISTOR	1/4WM J 150K	
	R 206	GJ250036822199	CARBON RESISTOR	1/4WM J 6.8K	
	R 208	GJ250031032199	CARBON RESISTOR	1/4WM J 10K	
	R 209	GJ250031222199	CARBON RESISTOR	1/4WM J 1.2K	
	R 210	GJ250032222199	CARBON RESISTOR	1/4WM J 2.2K	
	R 211	GJ250031032199	CARBON RESISTOR	1/4WM J 10K	
	R 212	GJ250035622199	CARBON RESISTOR	1/4WM J 5.6K	
	R 213	GJ250031032199	CARBON RESISTOR	1/4WM J 10K	
	R 214	GJ250031022199	CARBON RESISTOR	1/4WM J 1K	
	R 215	GJ250032232199	CARBON RESISTOR	1/4WM J 22K	
	R 301	GJ250031022199	CARBON RESISTOR	1/4WM J 1K	
	R 303	GJ250031022199	CARBON RESISTOR	1/4WM J 1K	
	R 304	GJ250033312199	CARBON RESISTOR	1/4WM J 330	
	R 305	GJ250031032199	CARBON RESISTOR	1/4WM J 10K	
	R 306	GJ250031052199	CARBON RESISTOR	1/4WM J 1M	
	R 307	GJ250032222199	CARBON RESISTOR	1/4WM J 2.2K	
	R 308	GJ250031032199	CARBON RESISTOR	1/4WM J 10K	
	R 309	GJ250031002199	CARBON RESISTOR	1/4WM J 10	
	R 310	GJ250033902199	CARBON RESISTOR	1/4WM J 39	
	R 311	GJ250031202199	CARBON RESISTOR	1/4WM J 12	
	R 312	GJ250031022199	CARBON RESISTOR	1/4WM J 1K	
	R 313	GJ250031032199	CARBON RESISTOR	1/4WM J 10K	
	R 314	GJ250031032199	CARBON RESISTOR	1/4WM J 10K	
	R 315	GJ250031032199	CARBON RESISTOR	1/4WM J 10K	

■ Electrical parts list (Main board)

Block No. 01

△	Item	Parts number	Parts name	Remarks	Area	△	Item	Parts number	Parts name	Remarks	Area
	R 316	GJ250031032199	CARBON RESISTOR	1/4WM J 10K			R 412	GJ250031822199	CARBON RESISTOR	1/4WM J 1.8K	
	R 317	GJ250034722199	CARBON RESISTOR	1/4WM J 4.7K			R 413	GJ250032232199	CARBON RESISTOR	1/4WM J 22K	
	R 318	GJ250031032199	CARBON RESISTOR	1/4WM J 10K			R 414	GJ250034722199	CARBON RESISTOR	1/4WM J 4.7K	
	R 319	GJ250032232199	CARBON RESISTOR	1/4WM J 22K			R 415	GJ250031032199	CARBON RESISTOR	1/4WM J 10K	
	R 320	GJ250034732199	CARBON RESISTOR	1/4WM J 47K			R 416	GJ250036822199	CARBON RESISTOR	1/4WM J 6.8K	
	R 321	GJ250032222199	CARBON RESISTOR	1/4WM J 2.2K			R 417	GJ250032232199	CARBON RESISTOR	1/4WM J 22K	
	R 322	GJ250032222199	CARBON RESISTOR	1/4WM J 2.2K			R 418	GJ250032222199	CARBON RESISTOR	1/4WM J 2.2K	
	R 323	GJ250032222199	CARBON RESISTOR	1/4WM J 2.2K			R 421	GJ250031022199	CARBON RESISTOR	1/4WM J 1K	
	R 324	GJ250032222199	CARBON RESISTOR	1/4WM J 2.2K			R 422	GJ250031022199	CARBON RESISTOR	1/4WM J 1K	
	R 325	GJ250032222199	CARBON RESISTOR	1/4WM J 2.2K			R 423	GJ250032222199	CARBON RESISTOR	1/4WM J 2.2K	
	R 328	GJ250031032199	CARBON RESISTOR	1/4WM J 10K			R 501	GJ250031032199	CARBON RESISTOR	1/4WM J 10K	
	R 329	GJ250032232199	CARBON RESISTOR	1/4WM J 22K			R 502	GJ250036822199	CARBON RESISTOR	1/4WM J 6.8K	
	R 330	GJ250034732199	CARBON RESISTOR	1/4WM J 47K			R 503	GJ250039122199	CARBON RESISTOR	1/4WM J 9.1K	
	R 331	GJ250033322199	CARBON RESISTOR	1/4WM J 3.3K			R 504	GJ250031012199	CARBON RESISTOR	1/4WM J 100	
	R 332	GJ250034722199	CARBON RESISTOR	1/4WM J 4.7K			R 505	GJ250031032199	CARBON RESISTOR	1/4WM J 10K	
	R 333	GJ250031512199	CARBON RESISTOR	1/4WM J 150			R 506	GJ250036822199	CARBON RESISTOR	1/4WM J 6.8K	
	R 334	GJ250033322199	CARBON RESISTOR	1/4WM J 3.3K			R 507	GJ250036832199	CARBON RESISTOR	1/4WM J 68K	
	R 335	GJ250034722199	CARBON RESISTOR	1/4WM J 4.7K			R 509	GJ250031542199	CARBON RESISTOR	1/4WM J 150K	
	R 336	GJ250031512199	CARBON RESISTOR	1/4WM J 150			R 510	GJ250031222199	CARBON RESISTOR	1/4WM J 1.2K	
	R 337	GJ250033322199	CARBON RESISTOR	1/4WM J 3.3K			R 512	GJ250031822199	CARBON RESISTOR	1/4WM J 1.8K	
	R 338	GJ250031022199	CARBON RESISTOR	1/4WM J 1K			R 513	GJ250032232199	CARBON RESISTOR	1/4WM J 22K	
	R 339	GJ250032222199	CARBON RESISTOR	1/4WM J 2.2K			R 514	GJ250034722199	CARBON RESISTOR	1/4WM J 4.7K	
	R 340	GJ250032222199	CARBON RESISTOR	1/4WM J 2.2K			R 515	GJ250031032199	CARBON RESISTOR	1/4WM J 10K	
	R 341	GJ250032222199	CARBON RESISTOR	1/4WM J 2.2K			R 516	GJ250036822199	CARBON RESISTOR	1/4WM J 6.8K	
	R 344	GJ250031022199	CARBON RESISTOR	1/4WM J 1K			R 517	GJ250032232199	CARBON RESISTOR	1/4WM J 22K	
	R 345	GJ250031022199	CARBON RESISTOR	1/4WM J 1K			R 518	GJ250032222199	CARBON RESISTOR	1/4WM J 2.2K	
	R 346	GJ250034702199	CARBON RESISTOR	1/4WM J 47			R 521	GJ250031022199	CARBON RESISTOR	1/4WM J 1K	
	R 347	GJ250031022199	CARBON RESISTOR	1/4WM J 1K			R 522	GJ250031022199	CARBON RESISTOR	1/4WM J 1K	
	R 348	GJ250032222199	CARBON RESISTOR	1/4WM J 2.2K			R 523	GJ250032222199	CARBON RESISTOR	1/4WM J 2.2K	
	R 349	GJ250032212199	CARBON RESISTOR	1/4WM J 220			R 601	GJ250032722199	CARBON RESISTOR	1/4WM J 2.7K	
	R 350	GJ250031022199	CARBON RESISTOR	1/4WM J 1K			R 602	GJ250031212199	CARBON RESISTOR	1/4WM J 120	
	R 351	GJ250031032199	CARBON RESISTOR	1/4WM J 10K			R 603	GJ250031022199	CARBON RESISTOR	1/4WM J 1K	
	R 352	GJ250031532199	CARBON RESISTOR	1/4WM J 15K			R 604	GJ250031022199	CARBON RESISTOR	1/4WM J 1K	
	R 353	GJ250031812199	CARBON RESISTOR	1/4WM J 180			R 605	GJ250032212199	CARBON RESISTOR	1/4WM J 220	
	R 354	GJ250038212199	CARBON RESISTOR	1/4WM J 820			R 611	GJ250031032199	CARBON RESISTOR	1/4WM J 10K	
	R 355	GJ250033302199	CARBON RESISTOR	1/4WM J 33			R 614	GJ250031022199	CARBON RESISTOR	1/4WM J 1K	
	R 356	GJ250032212199	CARBON RESISTOR	1/4WM J 220			R 615	GJ250031022199	CARBON RESISTOR	1/4WM J 1K	
	R 357	GJ250031032199	CARBON RESISTOR	1/4WM J 10K			R 616	GJ250033932199	CARBON RESISTOR	1/4WM J 39K	
	R 358	GJ250031032199	CARBON RESISTOR	1/4WM J 10K			R 617	GJ250031052199	CARBON RESISTOR	1/4WM J 1M	
	R 359	GJ250034712199	CARBON RESISTOR	1/4WM J 470			R 618	GJ250036832199	CARBON RESISTOR	1/4WM J 68K	
	R 360	GJ250032222199	CARBON RESISTOR	1/4WM J 2.2K			R 619	GJ250031012199	CARBON RESISTOR	1/4WM J 100	
	R 361	GJ250032232199	CARBON RESISTOR	1/4WM J 22K			R 621	GJ250036832199	CARBON RESISTOR	1/4WM J 68K	
	R 362	GJ25052291699	FUSE RESISTOR	1/4W J 2.2			R 622	GJ250036832199	CARBON RESISTOR	1/4WM J 68K	
	R 363	GJ250034712199	CARBON RESISTOR	1/4WM J 470			R 623	GJ250031242199	CARBON RESISTOR	1/4WM J 120K	
	R 365	GJ250033322199	CARBON RESISTOR	1/4WM J 3.3K			R 624	GJ250031552199	CARBON RESISTOR	1/4WM J 1.5M	
	R 366	GJ250036822199	CARBON RESISTOR	1/4WM J 6.8K			R 625	GJ250033312199	CARBON RESISTOR	1/4WM J 330	
	R 367	GJ250031032199	CARBON RESISTOR	1/4WM J 10K			R 626	GJ250035642199	CARBON RESISTOR	1/4WM J 560K	
	R 368	GJ250034732199	CARBON RESISTOR	1/4WM J 47K			R 628	GJ250035622199	CARBON RESISTOR	1/4WM J 5.6K	
	R 369	GJ250034732199	CARBON RESISTOR	1/4WM J 47K			R 629	GJ250031032199	CARBON RESISTOR	1/4WM J 10K	
	R 370	GJ250031022199	CARBON RESISTOR	1/4WM J 1K			R 630	GJ250031032199	CARBON RESISTOR	1/4WM J 10K	
	R 371	GJ250032232199	CARBON RESISTOR	1/4WM J 22K			R 631	GJ250031032199	CARBON RESISTOR	1/4WM J 10K	
	R 372	GJ250032232199	CARBON RESISTOR	1/4WM J 22K			R 632	GJ250031002199	CARBON RESISTOR	1/4WM J 10	
	R 373	GJ250032222199	CARBON RESISTOR	1/4WM J 2.2K			R 633	GJ250031002199	CARBON RESISTOR	1/4WM J 10	
	R 374	GJ250032232199	CARBON RESISTOR	1/4WM J 22K			R 634	GJ250031202199	CARBON RESISTOR	1/4WM J 12	
	R 401	GJ250031032199	CARBON RESISTOR	1/4WM J 10K			R 635	GJ250033932199	CARBON RESISTOR	1/4WM J 39K	
	R 402	GJ250036822199	CARBON RESISTOR	1/4WM J 6.8K			R 636	GJ250032232199	CARBON RESISTOR	1/4WM J 22K	
	R 403	GJ250039122199	CARBON RESISTOR	1/4WM J 9.1K			R 637	GJ250032222199	CARBON RESISTOR	1/4WM J 2.2K	
	R 404	GJ250031012199	CARBON RESISTOR	1/4WM J 100			R 638	GJ250033322199	CARBON RESISTOR	1/4WM J 3.3K	
	R 405	GJ250031032199	CARBON RESISTOR	1/4WM J 10K			R 639	GJ250036822199	CARBON RESISTOR	1/4WM J 6.8K	
	R 406	GJ250036822199	CARBON RESISTOR	1/4WM J 6.8K			R 640	GJ250036822199	CARBON RESISTOR	1/4WM J 6.8K	
	R 407	GJ250036832199	CARBON RESISTOR	1/4WM J 68K			R 642	GJ250031542199	CARBON RESISTOR	1/4WM J 150K	
	R 409	GJ250031542199	CARBON RESISTOR	1/4WM J 150K			R 643	GJ250034742199	CARBON RESISTOR	1/4WM J 470K	
	R 410	GJ250031222199	CARBON RESISTOR	1/4WM J 1.2K			R 644	GJ250031542199	CARBON RESISTOR	1/4WM J 150K	

■ Electrical parts list (Main board)

Block No. 01

△	Item	Parts number	Parts name	Remarks	Area
	R 645	GJ250032742199	CARBON RESISTOR	1/4WM J 270K	
	R 646	GJ250032242199	CARBON RESISTOR	1/4WM J 220K	
	R 647	GJ250031032199	CARBON RESISTOR	1/4WM J 10K	
	R 648	GJ250031032199	CARBON RESISTOR	1/4WM J 10K	
	R 650	GJ250034722199	CARBON RESISTOR	1/4WM J 4.7K	
	R 651	GJ250032732199	CARBON RESISTOR	1/4WM J 27K	
	R 652	GJ250031222199	CARBON RESISTOR	1/4WM J 1.2K	
	R 653	GJ250031222199	CARBON RESISTOR	1/4WM J 1.2K	
	R 654	GJ250031232199	CARBON RESISTOR	1/4WM J 12K	
	R 655	GJ250032432199	CARBON RESISTOR	1/4WM J 24K	
	R 656	GJ250032722199	CARBON RESISTOR	1/4WM J 2.7K	
	R 657	GJ250033922199	CARBON RESISTOR	1/4WM J 3.9K	
	R 659	GJ250031032199	CARBON RESISTOR	1/4WM J 10K	
	R 660	GJ250031032199	CARBON RESISTOR	1/4WM J 10K	
	R 662	GJ250035622199	CARBON RESISTOR	1/4WM J 5.6K	
	R 663	GJ250035622199	CARBON RESISTOR	1/4WM J 5.6K	
	R 664	GJ250032232199	CARBON RESISTOR	1/4WM J 22K	
	R 665	GJ250032232199	CARBON RESISTOR	1/4WM J 22K	
	R 666	GJ250031022199	CARBON RESISTOR	1/4WM J 1K	
	R 667	GJ250033332199	CARBON RESISTOR	1/4WM J 33K	
	R 668	GJ250032722199	CARBON RESISTOR	1/4WM J 2.7K	
	R 669	GJ250032712199	CARBON RESISTOR	1/4WM J 270	
	R 670	GJ250033942199	CARBON RESISTOR	1/4WM J 390K	
	R 671	GJ250038222199	CARBON RESISTOR	1/4WM J 8.2K	
	R 672	GJ250033332199	CARBON RESISTOR	1/4WM J 33K	
	R 673	GJ250033332199	CARBON RESISTOR	1/4WM J 33K	
	R 675	GJ250038222199	CARBON RESISTOR	1/4WM J 8.2K	
	R 982	GJ250031002199	CARBON RESISTOR	1/4WM J 10	
	R 983	GJ250034722199	CARBON RESISTOR	1/4WM J 4.7K	
	R 984	GJ250031032199	CARBON RESISTOR	1/4WM J 10K	
	RL981	GJ175501811	RELAY	RELAY (12V)	
	SW703	GJ390170021204	SWITCH	DETECTOR 001206	
	SW704	GJ390170021204	T.POSITION SW	TRABLEPOSITONDE	
	T 1	GJ321000720109	IFT	IFT 7MM BLACK	
	TAB	GJ727400140301	SOLDERING TAP	SOLDERING TAP M	
	TB901	GJ727000010004	TAB	(WIRING TUB)	
	TB902	GJ727000010004	TAB	(WIRING TUB)	
	TB903	GJ727000010004	TAB	(WIRING TUB)	
	TB904	GJ727000010004	TAB	(WIRING TUB)	
	TSW	GJ390070031204	TRAY SWITCH	R8130178	
	TU 1	GJ321000580106	FRONT END	(TFFJ4Z547A)	EE
	TU 1	GJ321000570106	FRONT END	(TFFJ4E600A)	B,E,EN,EV
	T981	GJ336280050113	X'FORMER	EI-28 AC 230V 5	
	W 603	GJ354005930100	WIRE KIT	P=2.0MM 5PIN L	
	W 606	GJ353030180107	CABLE	3PIN P=2MM L=1	
	W 607	GJ353020120207	CABLE	2PINS P=2.0MM L	
	W 608	GJ354005380100	WIRE KIT	2PINS -P=2.0MM	
	WK307	GJ354005940100	WIRE KIT	3PINS P=2MM AWG	
	WK308	GJ354005950100	WIRE KIT	8PINS P=2MM L=	
	X 1	GJ361000130003	CRYSTAL	75KHZ +/-20PPM	
	X 2	GJ361000340013	CRYSTAL	4.332MHZ +/- 20	
	X 601	GJ361000400009	RYSTAL	16.9344MHZ HC-4	
	2PHOL	GJ157328721	DISC COUNT HOLD	FOR SW703	
	2PHOL	GJ157328721	HOLDER	FOR W607	
	3PHOL	GJ156538421	HOLDER	FOR TRAY SWITCH	
	3PHOL	GJ156538421	HOLDER	FOR W606	
	5PHOL	GJ156538621	HOLDER	CABLE 5P	

■ Electrical parts list (Control board)

Block No. 02

△	Item	Parts number	Parts name	Remarks	Area	△	Item	Parts number	Parts name	Remarks	Area
	C 701	GJ264291042101	C.CAPACITOR	0.1MF F-F 50V			Q 711	GJ312010461303	TRANSISTOR	DTA114YS	
	C 702	GJ270112270399	E.CAPACITOR	10V VX M 220UF			Q 712	GJ312010461303	TRANSISTOR	DTA114YS	
	C 703	GJ270112270399	E.CAPACITOR	10V VX M 220UF			Q 713	GJ312010331203	TRANSISTOR	DTC114YS-TP	
	C 704	GJ270112270399	E.CAPACITOR	10V VX M 220UF			Q 714	GJ312030111210	TRANSISTOR	KTC3199TP-GR	
	C 705	GJ264141022199	C.CAPACITOR	50V B K 1000PF			Q 715	GJ312030111210	TRANSISTOR	KTC3199TP-GR	
	C 706	GJ264141022199	C.CAPACITOR	50V B K 1000PF			R 138	GJ250056812510	CARBON RESISTOR	ANTI-PULSE 1/4W	
	C 707	GJ116221321	C.CAPACITOR	50V SL J 39PF			R 238	GJ250056812510	CARBON RESISTOR	ANTI-PULSE 1/4W	
	C 708	GJ116221121	C.CAPACITOR	50V SL J 33PF			R 701	GJ250034732199	CARBON RESISTOR	1/4WM J 47K	
	C 709	GJ116220721	C.CAPACITOR	50V SL J 22PF			R 702	GJ250034732199	CARBON RESISTOR	1/4WM J 47K	
	C 710	GJ116220721	C.CAPACITOR	50V SL J 22PF			R 703	GJ250034732199	CARBON RESISTOR	1/4WM J 47K	
	C 711	GJ116220721	C.CAPACITOR	50V SL J 22PF			R 704	GJ250031032199	CARBON RESISTOR	1/4WM J 10K	
	C 712	GJ116220721	C.CAPACITOR	50V SL J 22PF			R 705	GJ250031032199	CARBON RESISTOR	1/4WM J 10K	
	C 713	GJ264291042101	C.CAPACITOR	0.1MF F-F 50V			R 706	GJ250031032199	CARBON RESISTOR	1/4WM J 10K	
	C 714	GJ264271032199	C.CAPACITOR	16V Y M 0.01UF			R 707	GJ250031022199	CARBON RESISTOR	1/4WM J 1K	
	C 715	GJ264141022199	C.CAPACITOR	50V B K 1000PF			R 709	GJ250031022199	CARBON RESISTOR	1/4WM J 1K	
	C 716	GJ270114760399	E.CAPACITOR	10V M 47UF			R 710	GJ250031022199	CARBON RESISTOR	1/4WM J 1K	
	C 717	GJ264291042101	C.CAPACITOR	0.1MF F-F 50V			R 711	GJ250031022199	CARBON RESISTOR	1/4WM J 1K	
	C 718	GJ270192260399	E.CAPACITOR	50V M 22UF			R 712	GJ250031022199	CARBON RESISTOR	1/4WM J 1K	
	C 719	GJ270192260399	E.CAPACITOR	50V M 22UF			R 713	GJ250034732199	CARBON RESISTOR	1/4WM J 47K	
	C 720	GJ264141512199	C.CAPACITOR	50V B K 150PF			R 714	GJ25003222199	CARBON RESISTOR	1/4WM J 2.2K	
	C 721	GJ264141512199	C.CAPACITOR	50V B K 150PF			R 715	GJ250034732199	CARBON RESISTOR	1/4WM J 47K	
	C 723	GJ270191050399	E.CAPACITOR	50V VX M 1UF			R 716	GJ25003222199	CARBON RESISTOR	1/4WM J 2.2K	
	C 736	GJ250031012199	CARBON RESISTOR	1/4WM J 100			R 717	GJ250031022199	CARBON RESISTOR	1/4WM J 1K	
	C 737	GJ250031012199	CARBON RESISTOR	1/4WM J 100			R 718	GJ250031032199	CARBON RESISTOR	1/4WM J 10K	
	C 740	GJ264141012199	C.CAPACITOR	50V B K 100PF			R 719	GJ250031022199	CARBON RESISTOR	1/4WM J 1K	
	C 791	GJ250031012199	CARBON RESISTOR	1/4WM J 100			R 720	GJ250031022199	CARBON RESISTOR	1/4WM J 1K	
	CN701	GJ340021120109	CONNECTOR	P=1.25MM RA12PI			R 721	GJ250031022199	CARBON RESISTOR	1/4WM J 1K	
	CN702	GJ340021220109	CONNECTOR	P=1.25MM 22PIN			R 722	GJ250031022199	CARBON RESISTOR	1/4WM J 1K	
	CN703	GJ340021210102	CONNECTOR	P=1.25MM RA 21			R 723	GJ250032212199	CARBON RESISTOR	1/4WM J 220	
	C1001	GJ264271032199	C.CAPACITOR	16V Y M 0.01UF			R 724	GJ250031022199	CARBON RESISTOR	1/4WM J 1K	
	C1002	GJ264271032199	C.CAPACITOR	16V Y M 0.01UF			R 725	GJ250033312199	CARBON RESISTOR	1/4WM J 330	
	C1051	GJ264141022199	C.CAPACITOR	L 50V B K 1000P			R 727	GJ250031022199	CARBON RESISTOR	1/4WM J 1K	
	C1052	GJ264141022199	C.CAPACITOR	50V B K 1000PF			R 728	GJ250031022199	CARBON RESISTOR	1/4WM J 1K	
	C1053	GJ264141022199	C.CAPACITOR	50V B K 1000PF			R 729	GJ250031022199	CARBON RESISTOR	1/4WM J 1K	
	C1054	GJ264141022199	C.CAPACITOR	50V B K 1000PF			R 730	GJ250031022199	CARBON RESISTOR	1/4WM J 1K	
	D 701	GJ310010220205	DIODE	1SS133T-77			R 731	GJ250031022199	CARBON RESISTOR	1/4WM J 1K	
	D 702	GJ310010220205	DIODE	1SS133T-77			R 732	GJ250031022199	CARBON RESISTOR	1/4WM J 1K	
	D 703	GJ310010220205	DIODE	1SS133T-77			R 733	GJ250034722199	CARBON RESISTOR	1/4WM J 4.7K	
	D 705	GJ310010220205	DIODE	1SS133T-77			R 734	GJ250034722199	CARBON RESISTOR	1/4WM J 4.7K	
	FF701	GJ353120270107	CABLE	L=270MM P=1.25			R 738	GJ250032212199	CARBON RESISTOR	1/4WM J 220	
	FF702	GJ353220180107	CABLE	L=180MM P=1.25			R 739	GJ250032212199	CARBON RESISTOR	1/4WM J 220	
	FF703	GJ353210180107	FFC CABLE	C L=180MM P=1.2			R 740	GJ250032212199	CARBON RESISTOR	1/4WM J 220	
	FL701	GJ373020041000	FL DISPLAY	DISPLAY FL BJ82			R 741	GJ250033312199	CARBON RESISTOR	1/4WM J 330	
	FW101	GJ353040400107	CABLE	4PINS P=2.5 L=4			R 742	GJ25003222199	CARBON RESISTOR	1/4WM J 2.2K	
	FW701	GJ353100200207	CABLE	P=2.54 10PINS			R 743	GJ25003222199	CARBON RESISTOR	1/4WM J 2.2K	
	FW702	GJ353020100107	CABLE FLAT	P=2.54 2PINS			R 744	GJ250032212199	CARBON RESISTOR	1/4WM J 220	
	IC701	GJ313010663223	IC	MN101C35DYC1			R 745	GJ25003222199	CARBON RESISTOR	1/4WM J 2.2K	
	IC702	GJ313040901006	IC	SPS-440-1-EIIR			R 746	GJ25003222199	CARBON RESISTOR	1/4WM J 2.2K	
	J 101	GJ342010300113	JACK	H/P D=3.5MM BL			R 747	GJ25003222199	CARBON RESISTOR	1/4WM J 2.2K	
	L 701	GJ241112202102	INDUCTOR	22UH 10% Q40			R 748	GJ25003222199	CARBON RESISTOR	1/4WM J 2.2K	
	L 702	GJ241111002102	INDUCTOR	10UH 5% Q40			R 749	GJ250034722199	CARBON RESISTOR	1/4WM J 4.7K	
	L 703	GJ371010100005	FERRITE BEAD	LGK0305TBA			R 750	GJ250034722199	CARBON RESISTOR	1/4WM J 4.7K	
	L 707	GJ241111002102	INDUCTOR	10UH 5% Q40			R 751	GJ250034722199	CARBON RESISTOR	1/4WM J 4.7K	
	LED01	GJ374301012101	LED	D=3MM RED L-93			R 752	GJ250034722199	CARBON RESISTOR	1/4WM J 4.7K	
	L1051	GJ241114702102	INDUCTOR	47UH 10% Q40			R 753	GJ25003222199	CARBON RESISTOR	1/4WM J 2.2K	
	L1052	GJ241114702102	INDUCTOR	47UH 10% Q40			R 754	GJ25003222199	CARBON RESISTOR	1/4WM J 2.2K	
	L1053	GJ371010100005	FERRITE BEAD	LGK0305TBA			R 755	GJ25003222199	CARBON RESISTOR	1/4WM J 2.2K	
	Q 701	GJ312030111210	TRANSISTOR	KTC3199TP-GR			R 756	GJ25003222199	CARBON RESISTOR	1/4WM J 2.2K	
	Q 702	GJ312030111210	TRANSISTOR	KTC3199TP-GR			R 757	GJ250031022199	CARBON RESISTOR	1/4WM J 1K	
	Q 703	GJ312030111210	TRANSISTOR	KTC3199TP-GR			R 758	GJ25003222199	CARBON RESISTOR	1/4WM J 2.2K	
	Q 704	GJ312030152210	TRANSISTOR	KTC3195(Y)			R 759	GJ250032292199	CARBON RESISTOR	1/4WM J 2.2	
	Q 705	GJ312030152210	TRANSISTOR	KTC3195(Y)			R 760	GJ250032292199	CARBON RESISTOR	1/4WM J 2.2	
	Q 707	GJ312010331203	TRANSISTOR	DTC114YS-TP			R 761	GJ250034732199	CARBON RESISTOR	1/4WM J 47K	

■ Electrical parts list (Control board)

Block No. 02

△	Item	Parts number	Parts name	Remarks	Area	△	Item	Parts number	Parts name	Remarks	Area
	R 762	GJ250031032199	CARBON RESISTOR	1/4WM J 10K			R1011	GJ250038212199	CARBON RESISTOR	1/4WM J 820	
	R 768	GJ250031042199	CARBON RESISTOR	1/4WM J 100K			R1012	GJ250031022199	CARBON RESISTOR	1/4WM J 1K	
	R 769	GJ250031022199	CARBON RESISTOR	1/4WM J 1K			R1013	GJ250031522199	CARBON RESISTOR	1/4WM J 1.5K	
	R 770	GJ250032222199	CARBON RESISTOR	1/4WM J 2.2K			R1014	GJ250032222199	CARBON RESISTOR	1/4WM J 2.2K	
	R 772	GJ250032222199	CARBON RESISTOR	1/4WM J 2.2K			R1015	GJ250032722199	CARBON RESISTOR	1/4WM J 2.7K	
	R 773	GJ250032222199	CARBON RESISTOR	1/4WM J 2.2K			R1016	GJ250031832199	CARBON RESISTOR	1/4WM J 18K	
	R 774	GJ250031822199	CARBON RESISTOR	1/4WM J 1.8K			R1017	GJ250036812199	CARBON RESISTOR	1/4WM J 680	
	R 775	GJ250031022199	CARBON RESISTOR	1/4WM J 1K			R1018	GJ250036812199	CARBON RESISTOR	1/4WM J 680	
	R 776	GJ250031032199	CARBON RESISTOR	1/4WM J 10K			R1019	GJ250038212199	CARBON RESISTOR	1/4WM J 820	
	R 777	GJ250034732199	CARBON RESISTOR	1/4WM J 47K			R1020	GJ250031022199	CARBON RESISTOR	1/4WM J 1K	
	R 778	GJ250031022199	CARBON RESISTOR	1/4WM J 1K			R1021	GJ250031522199	CARBON RESISTOR	1/4WM J 1.5K	
	R 779	GJ250031032199	CARBON RESISTOR	1/4WM J 10K			R1022	GJ250032222199	CARBON RESISTOR	1/4WM J 2.2K	
	R 780	GJ250032222199	CARBON RESISTOR	1/4WM J 2.2K			R1023	GJ250032722199	CARBON RESISTOR	1/4WM J 2.7K	
	R 781	GJ250031022199	CARBON RESISTOR	1/4WM J 1K			R1024	GJ250035622199	CARBON RESISTOR	1/4WM J 5.6K	
	R 782	GJ250032222199	CARBON RESISTOR	1/4WM J 2.2K			R1025	GJ250031232199	CARBON RESISTOR	1/4WM J 12K	
	R 783	GJ250034732199	CARBON RESISTOR	1/4WM J 47K			R1026	GJ250036812199	CARBON RESISTOR	1/4WM J 680	
	R 784	GJ250032222199	CARBON RESISTOR	1/4WM J 2.2K			R1027	GJ250036812199	CARBON RESISTOR	1/4WM J 680	
	R 785	GJ250032222199	CARBON RESISTOR	1/4WM J 2.2K			R1028	GJ250038212199	CARBON RESISTOR	1/4WM J 820	
	R 786	GJ250031032199	CARBON RESISTOR	1/4WM J 10K			R1029	GJ250031022199	CARBON RESISTOR	1/4WM J 1K	
	R 787	GJ250031032199	CARBON RESISTOR	1/4WM J 10K			R1029	GJ250031522199	CARBON RESISTOR	1/4WM J 1.5K	
	R 788	GJ250031022199	CARBON RESISTOR	1/4WM J 1K			R1031	GJ250032222199	CARBON RESISTOR	1/4WM J 2.2K	
	R 789	GJ250032222199	CARBON RESISTOR	1/4WM J 2.2K			R1032	GJ250032722199	CARBON RESISTOR	1/4WM J 2.7K	
	R 790	GJ250031022199	CARBON RESISTOR	1/4WM J 1K			R1033	GJ250035622199	CARBON RESISTOR	1/4WM J 5.6K	
	R 792	GJ250033312199	CARBON RESISTOR	1/4WM J 330			R1034	GJ250031232199	CARBON RESISTOR	1/4WM J 12K	
	RA701	GJ250034732199	CARBON RESISTOR	1/4WM J 47K			R1037	GJ250032232199	CARBON RESISTOR	1/4WM J 22K	
	RA702	GJ250034732199	CARBON RESISTOR	1/4WM J 47K			R1038	GJ250032232199	CARBON RESISTOR	1/4WM J 22K	
	RA703	GJ250034732199	CARBON RESISTOR	1/4WM J 47K			R1039	GJ250031242199	CARBON RESISTOR	1/4WM J 120K	
	RA704	GJ250034732199	CARBON RESISTOR	1/4WM J 47K			R1040	GJ250031242199	CARBON RESISTOR	1/4WM J 120K	
	RA705	GJ250034732199	CARBON RESISTOR	1/4WM J 47K			R1041	GJ250035632199	CARBON RESISTOR	1/4WM J 56K	
	RA706	GJ250034732199	CARBON RESISTOR	1/4WM J 47K			R1042	GJ250035632199	CARBON RESISTOR	1/4WM J 56K	
	RA707	GJ250034732199	CARBON RESISTOR	1/4WM J 47K			R1043	GJ250034732199	CARBON RESISTOR	1/4WM J 47K	
	RA708	GJ250034732199	CARBON RESISTOR	1/4WM J 47K			R1047	GJ250034732199	CARBON RESISTOR	1/4WM J 47K	
	RA709	GJ250034732199	CARBON RESISTOR	1/4WM J 47K			R1048	GJ250031032199	CARBON RESISTOR	1/4WM J 10K	
	RA710	GJ250034732199	CARBON RESISTOR	1/4WM J 47K			R1060	GJ250034732199	CARBON RESISTOR	1/4WM J 47K	
	RA711	GJ250034732199	CARBON RESISTOR	1/4WM J 47K			R1061	GJ250031022199	CARBON RESISTOR	1/4WM J 1K	
	RA712	GJ250034732199	CARBON RESISTOR	1/4WM J 47K			R1062	GJ250032212199	CARBON RESISTOR	1/4WM J 220	
	RA713	GJ250034732199	CARBON RESISTOR	1/4WM J 47K			R1063	GJ250032212199	CARBON RESISTOR	1/4WM J 220	
	RA714	GJ250034732199	CARBON RESISTOR	1/4WM J 47K			R1064	GJ250031232199	CARBON RESISTOR	1/4WM J 12K	
	RA715	GJ250034732199	CARBON RESISTOR	1/4WM J 47K			R1065	GJ250031022199	CARBON RESISTOR	1/4WM J 1K	
	RA716	GJ250034732199	CARBON RESISTOR	1/4WM J 47K			R1066	GJ250031032199	CARBON RESISTOR	1/4WM J 10K	
	RA717	GJ250034732199	CARBON RESISTOR	1/4WM J 47K			R1067	GJ250031022199	CARBON RESISTOR	1/4WM J 1K	
	RA718	GJ250034732199	CARBON RESISTOR	1/4WM J 47K			R1068	GJ250031032199	CARBON RESISTOR	1/4WM J 10K	
	RA719	GJ250034732199	CARBON RESISTOR	1/4WM J 47K			R1069	GJ250034732199	CARBON RESISTOR	1/4WM J 47K	
	RA720	GJ250034732199	CARBON RESISTOR	1/4WM J 47K			R1070	GJ250034732199	CARBON RESISTOR	1/4WM J 47K	
	RA721	GJ250034732199	CARBON RESISTOR	1/4WM J 47K			R1071	GJ250034732199	CARBON RESISTOR	1/4WM J 47K	
	RA722	GJ250034732199	CARBON RESISTOR	1/4WM J 47K			R1072	GJ250034732199	CARBON RESISTOR	1/4WM J 47K	
	RA723	GJ250034732199	CARBON RESISTOR	1/4WM J 47K			R1073	GJ250034732199	CARBON RESISTOR	1/4WM J 47K	
	RA724	GJ250034732199	CARBON RESISTOR	1/4WM J 47K			R1074	GJ250034732199	CARBON RESISTOR	1/4WM J 47K	
	RA725	GJ250034732199	CARBON RESISTOR	1/4WM J 47K			R1075	GJ250034732199	CARBON RESISTOR	1/4WM J 47K	
	RA726	GJ250034732199	CARBON RESISTOR	1/4WM J 47K			SW101	GJ299000570003	ENCODER	VR EVEKD2F3024B	
	RA727	GJ250034732199	CARBON RESISTOR	1/4WM J 47K			S1001	GJ390110181120	SWITCH	(POWER)	
	RA728	GJ250034732199	CARBON RESISTOR	1/4WM J 47K			S1002	GJ390110181120	SWITCH	(TAPE)	
	RA729	GJ250034732199	CARBON RESISTOR	1/4WM J 47K			S1003	GJ390110181120	SWITCH	(AUX)	
	R1001	GJ250036812199	CARBON RESISTOR	1/4WM J 680			S1004	GJ390110181120	SWITCH	(BAND)	
	R1002	GJ250036812199	CARBON RESISTOR	1/4WM J 680			S1005	GJ390110181120	SWITCH	(CANCEL)	
	R1003	GJ250038212199	CARBON RESISTOR	1/4WM J 820			S1006	GJ390110181120	SWITCH	(SET)	
	R1004	GJ250031022199	CARBON RESISTOR	1/4WM J 1K			S1007	GJ390110181120	SWITCH	(CD)	
	R1005	GJ250031522199	CARBON RESISTOR	1/4WM J 1.5K			S1008	GJ390110181120	SWITCH	(CD1)	
	R1006	GJ250031832199	CARBON RESISTOR	1/4WM J 18K			S1009	GJ390110181120	SWITCH	(CD2)	
	R1007	GJ250038222199	CARBON RESISTOR	1/4WM J 8.2K			S1010	GJ390110181120	SWITCH	(CD3)	
	R1008	GJ250036812199	CARBON RESISTOR	1/4WM J 680			S1011	GJ390110181120	SWITCH	(EJECT)	
	R1009	GJ250036812199	CARBON RESISTOR	1/4WM J 680			S1012	GJ390110181120	SWITCH	(DISC)	
	R1010	GJ250036812199	CARBON RESISTOR	1/4WM J 680			S1013	GJ390110181120	SWITCH	(DECK A/B)	

■ Electrical parts list (Control board)

Block No. 02

△	Item	Parts number	Parts name	Remarks	Area
	S1014	GJ390110181120	SWITCH	(TIM/CLK)	
	S1015	GJ390110181120	SWITCH	(STOP)	
	S1016	GJ390110181120	SWITCH	(TUN+)	
	S1017	GJ390110181120	SWITCH	(TUN-)	
	S1018	GJ390110181120	SWITCH	(PRESET-)	
	S1019	GJ390110181120	SWITCH	(PRESET+)	
	S1020	GJ390110181120	SWITCH	(ROCK)	
	S1021	GJ390110181120	SWITCH	(CLASSIC)	
	S1022	GJ390110181120	SWITCH	(POP)	
	S1023	GJ390110181120	SWITCH	(A.BASS)	
	S1024	GJ390110181120	SWITCH	(ECO)	
	S1025	GJ390110181120	SWITCH	(REC)	
	S1026	GJ390110181120	SWITCH	(DUBBING)	
	S1027	GJ390110181120	SWITCH	(CD REC)	
	S1028	GJ390110181120	SWITCH	(REPEAT)	
	S1029	GJ390110181120	SWITCH	(PROGRAM)	
	S1030	GJ390110181120	SWITCH	(RANDOM)	
	S1031	GJ390110181120	SWITCH	(DISPLAY)	
	S1032	GJ390110181120	SWITCH	(PTY/EON)	
	S1033	GJ390110181120	SWITCH	(SELECT+)	
	S1034	GJ390110181120	SWITCH	(SELECT-)	
	X 701	GJ362000370001	RESONATOR	CSA8.00MTZ 200	
	X 702	GJ361000230009	CRYSTAL	32.768KHZ DT-3	

■ Electrical parts list (Amp board)

Block No. 03

△	Item	Parts number	Parts name	Remarks	Area
	C 115	GJ270192256399	E. CAPACITOR	50V SBP M 2.2MF	
	C 116	GJ264141012199	C.CAPACITOR	50V B K 100PF	
	C 117	GJ264141012199	C.CAPACITOR	50V B K 100PF	
	C 118	GJ270194760399	E.CAPACITOR	50V VX M 47UF	
	C 119	GJ264032702199	C.CAPACITOR	50V SL J 27PF	
	C 121	GJ270192260399	E.CAPACITOR	50V VX M 22UF	
	C 122	GJ283111042499	POL.CAPACITOR	100V K 0.1UF	
	C 123	GJ283111042499	POL.CAPACITOR	100V K 0.1UF	
	C 215	GJ270192256399	E. CAPACITOR	50V SBP M 2.2M	
	C 216	GJ264141012199	C.CAPACITOR	50V B K 100PF	
	C 217	GJ264141012199	C.CAPACITOR	50V B K 100PF	
	C 218	GJ270194760399	E.CAPACITOR	50V VX M 47UF	
	C 219	GJ264032702199	C.CAPACITOR	50V SL J 27PF	
	C 221	GJ270192260399	E.CAPACITOR	50V VX M 22UF	
	C 222	GJ283111042499	POL.CAPACITOR	100V K 0.1UF	
	C 223	GJ283111042499	POL.CAPACITOR	100V K 0.1UF	
	C 314	GJ270141060399	E.CAPACITOR	25V VX M 10UF	
	C 315	GJ270191050399	E.CAPACITOR	50V VX M 1UF	
	C 322	GJ270192250399	E.CAPACITOR	50V VX M 2.2UF	
	C 323	GJ270191060399	E.CAPACITOR	50V VX M 10UF	
	C 324	GJ270191060399	E.CAPACITOR	50V VX M 10UF	
	C 390	GJ270112270399	E.CAPACITOR	10V VX M 220UF	
	C 391	GJ264263322199	C.CAPACITOR	16V X M 3300PF	
	C 392	GJ264263322199	C.CAPACITOR	16V X M 3300PF	
	C 393	GJ264141022199	C.CAPACITOR	50V B K 1000PF	
	C 394	GJ264141022199	C.CAPACITOR	50V B K 1000PF	
	C 901	GJ111067121	C.CAPACITOR	47000PF F Z 50	
	C 902	GJ111067121	C.CAPACITOR	47000PF F Z 50	
	C 903	GJ111067121	C.CAPACITOR	47000PF F Z 50	
	C 904	GJ111067121	C.CAPACITOR	47000PF F Z 50	
	C 905	GJ270192282299	E.CAPACITOR	50V M 2200UF 1	
	C 906	GJ270192282299	E.CAPACITOR	50V M 2200UF 16	
	C 907	GJ264291042101	C.CAPACITOR	0.1MF F-F 50V	
	C 908	GJ264291042101	C.CAPACITOR	0.1MF F-F 50V	
	C 909	GJ264291042101	C.CAPACITOR	0.1MF F-F 50V	
	C 910	GJ264291042101	C.CAPACITOR	0.1MF F-F 50V	
	C 911	GJ270144780199	E.CAPACITOR	25V M 4700UF 16	
	C 912	GJ270304760399	E.CAPACITOR	63V VX M 47UF	
	C 913	GJ270192260399	E.CAPACITOR	50V VX M 22UF	
	C 914	GJ116230621	C.CAPACITOR	16V Y M 0.01UF	
	C 915	GJ270192260399	E.CAPACITOR	50V VX M 22UF	
	C 917	GJ270192250399	E.CAPACITOR	50V VX M 2.2UF	
	C 918	GJ116230621	C.CAPACITOR	16V Y M 0.01UF	
	C 919	GJ270111070399	E.CAPACITOR	10V M 100UF	
	C 920	GJ264291042101	C.CAPACITOR	0.1MF F-F 50V	
	C 921	GJ270121070399	E.CAPACITOR	16V VX M 100UF	
	C 922	GJ270141060399	E.CAPACITOR	25V VX M 10UF	
	CN101	GJ340072050102	CONNECTOR	5PINS P=2.5MM	
	CN901	GJ340022120102	CONNECTOR	P=1.25MM ST 12	
	CN902	GJ340072040102	CONNECTOR	4 PIN P=2.5MM	
	CN902	GJ340072030102	CONNECTOR	3 PIN P=2.5MM	
	CN951	GJ340072050102	CONNECTOR	5PINS P=2.5MM	
	CN981	GJ340022040109	CONNECTOR	P=1.25MM ST 4PI	
	D 301	GJ310020030105	DIODE	1N4002AT-93	
	D 304	GJ310010220205	DIODE	1SS133T-77	
	D 902	GJ310020020104	DIODE	1N4001 B	
	D 903	GJ310020020104	DIODE	1N4001 B	
	D 904	GJ310020020104	DIODE	1N4001 B	
	D 905	GJ310020020104	DIODE	1N4001 B	
	D 906	GJ310020020104	DIODE	1N4001 B	
	D 907	GJ310030018905	ZENER DIODE	MTZJ-T-77-33C	
	D 908	GJ310030011105	ZENER DIODE	MTZJ-T-77-6.2A	
	D 909	GJ310010220205	DIODE	1SS133T-77	

△	Item	Parts number	Parts name	Remarks	Area
	D 910	GJ310030011105	ZENER DIODE	MTZJ-T-77-6.2A	
	D 911	GJ871992337	ZENER DIODE	MTZJ-T-77-5.6A	
	D 912	GJ310030016205	ZENER DIODE	MTZJ-T-77-13C	
	D 913	GJ310030133305	ZENER DIODE	MTZJ-T-77-12C	
	D 915	GJ310030012705	ZENER DIODE	MTZJ-T-77-6.8B	
	D 921	GJ310020010108	ZENER DIODE	1N5401	
	D 922	GJ310020010108	ZENER DIODE	1N5401	
	D 923	GJ310020010108	ZENER DIODE	1N5401	
	D 924	GJ310020010108	ZENER DIODE	1N5401	
	IC101	GJ313070411018	IC	TD47295	
	IC201	GJ313070411018	IC	TD47295	
	J 303	GJ342020150913	JACK	SPK 4PINS RED/	
	L 101	GJ320080150109	COIL	DIA=0.5MM 9.5T	
	L 201	GJ320080150109	COIL	DIA=0.5MM 9.5T	
	Q 104	GJ312030111210	TRANSISTOR	KTC3199TP-GR	
	Q 204	GJ312030111210	TRANSISTOR	KTC3199TP-GR	
	Q 301	GJ312010461303	TRANSISTOR	DTA114YS	
	Q 317	GJ686062350000	JUMPER	DIA=0.6MM (5MM)	
	Q 901	GJ312090191203	TRANSISTOR	2SA934R	
	Q 902	GJ312010331203	TRANSISTOR	DTC114YS-TP	
	Q 903	GJ312010331203	TRANSISTOR	DTC114YS-TP	
	Q 904	GJ312011241210	TRANSISTOR	KTB1366Y (TAPE	
	Q 905	GJ312030111210	TRANSISTOR	KTC3199TP-GR	
	Q 906	GJ312030111210	TRANSISTOR	KTC3199TP-GR	
	Q 907	GJ312011241210	TRANSISTOR	KTB1366Y (TAPE)	
	Q 908	GJ312011231210	TRANSISTOR	KTA1267Y (TAPE	
	Q 909	GJ312010461303	TRANSISTOR	DTA114YS	
	Q 910	GJ312010331203	TRANSISTOR	DTC114YS-TP	
	Q 911	GJ312030111210	TRANSISTOR	KTC3199TP-GR	
	Q 912	GJ312010331203	TRANSISTOR	DTC114YS-TP	
	R 120	GJ250033322199	CARBON RESISTOR	1/4WM J 3.3K	
	R 121	GJ250031032199	CARBON RESISTOR	1/4WM J 10K	
	R 122	GJ250034722199	CARBON RESISTOR	1/4WM J 4.7K	
	R 123	GJ250035632199	CARBON RESISTOR	1/4WM J 56K	
	R 124	GJ250032722199	CARBON RESISTOR	1/4WM J 2.7K	
	R 125	GJ250035632199	CARBON RESISTOR	1/4WM J 56K	
	R 127	GJ250031222199	CARBON RESISTOR	1/4WM J 1.2K	
	R 129	GJ250032202199	CARBON RESISTOR	1/4WM J 22	
	R 130	GJ250032202199	CARBON RESISTOR	1/4WM J 22	
	R 131	GJ250031032199	CARBON RESISTOR	1/4WM J 10K	
	R 147	GJ250031022199	CARBON RESISTOR	1/4WM J 1K	
	R 151	GJ250031022199	CARBON RESISTOR	1/4WM J 1K	
	R 220	GJ250033322199	CARBON RESISTOR	1/4WM J 3.3K	
	R 221	GJ250031032199	CARBON RESISTOR	1/4WM J 10K	
	R 222	GJ250034722199	CARBON RESISTOR	1/4WM J 4.7K	
	R 223	GJ250035632199	CARBON RESISTOR	1/4WM J 56K	
	R 224	GJ250032722199	CARBON RESISTOR	1/4WM J 2.7K	
	R 225	GJ250035632199	CARBON RESISTOR	1/4WM J 56K	
	R 227	GJ250031222199	CARBON RESISTOR	1/4WM J 1.2K	
	R 230	GJ250032202199	CARBON RESISTOR	1/4WM J 22	
	R 231	GJ250031032199	CARBON RESISTOR	1/4WM J 10K	
	R 247	GJ250031022199	CARBON RESISTOR	1/4WM J 1K	
	R 251	GJ250031022199	CARBON RESISTOR	1/4WM J 1K	
	R 290	GJ250032202199	CARBON RESISTOR	1/4WM J 22	
	R 307	GJ250032232199	CARBON RESISTOR	1/4WM J 22K	
	R 311	GJ250032232199	CARBON RESISTOR	1/4WM J 22K	
	R 313	GJ250034712199	CARBON RESISTOR	1/4WM J 470	
	R 314	GJ250034742199	CARBON RESISTOR	1/4WM J 470K	
	R 316	GJ250031022199	CARBON RESISTOR	1/4WM J 1K	
	R 390	GJ250035612199	CARBON RESISTOR	1/4WM J 560	
	R 391	GJ250032222199	CARBON RESISTOR	1/4WM J 2.2K	
	R 901	GJ250034722199	CARBON RESISTOR	1/4WM J 4.7K	
	R 902	GJ255051011699	FUSE RESISTOR	1/4W J 100 KICK	

■ Electrical parts list (Amp board)

Block No. 03

△	Item	Parts number	Parts name	Remarks	Area
	R 903	GJ25003222199	CARBON RESISTOR	1/4WM J 2.2K	
	R 904	GJ250031012199	CARBON RESISTOR	1/4WM J 100	
	R 905	GJ250031012199	CARBON RESISTOR	1/4WM J 100	
	R 906	GJ250031032199	CARBON RESISTOR	1/4WM J 10K	
	R 907	GJ250031022199	CARBON RESISTOR	1/4WM J 1K	
	R 908	GJ255052291699	FUSE RESISTOR	1/4W J 2.2 OHM	
	R 909	GJ250034732199	CARBON RESISTOR	1/4WM J 47K	
	R 910	GJ250032232199	CARBON RESISTOR	1/4WM J 22K	
	R 911	GJ250033322199	CARBON RESISTOR	1/4WM J 3.3K	
	R 912	GJ250034712199	CARBON RESISTOR	1/4WM J 470	
	R 913	GJ250034712199	CARBON RESISTOR	1/4WM J 470	
	R 914	GJ250031092199	CARBON RESISTOR	1/4WM J 1	
	R 915	GJ250031092199	CARBON RESISTOR	1/4WM J 1	
	R 916	GJ250031092199	CARBON RESISTOR	1/4WM J 1	
	R 917	GJ250031022199	CARBON RESISTOR	1/4WM J 1K	
	R 918	GJ250031032199	CARBON RESISTOR	1/4WM J 10K	

■ Electrical parts list (AC power board)

Block No. 04

△	Item	Parts number	Parts name	Remarks	Area
	C 1	GJ270104763399	E.CAPACITOR	47MF 6.3V	
	C 2	GJ215521042499	CHIP CAPACITOR	C 2125 25V F Z	
	C 3	GJ213731012499	CHIP CAPACITOR	C 2125 50V CH	
	C 4	GJ213731012499	CHIP CAPACITOR	C 2125 50V CH J	
	C 5	GJ215521042499	CHIP CAPACITOR	C 2125 25V F Z	
	D 1	GJ374502042103	INFRARED LED	SIR-563ST3F	
△	F 952	GJ369000630009	FUSE	1.6A 250V DIA=5	
	FW951	GJ353090190107	CABLE	9PINS L=190MM #	
	HF952	GJ153321741	FUSE HOLDER	FUSE F952	
	IC 1	GJ313060851302	IC	UPD6134MC-114-	
	J 1	GJ121629691	CONDUCTOR	CHIP 0 OHM (32	
	Q 1	GJ312010941203	TRANSISTOR	2SD1781KQ	
	R 1	GJ200151092499	CHIP RESISTOR	3216 1/8W J 1	
	R 2	GJ200052702499	CHIP RESISTOR	2012 1/10W J27	
	TAB	GJ727000010004	TAB		
	TB901	GJ727000010000	TAB	LUG (TP00473-4	
	TB902	GJ727000010000	TAB	LUG (TP00473-41	
	X 1	GJ362000020002	RESONATOR	CSB455E	

Packing materials and accessories parts list

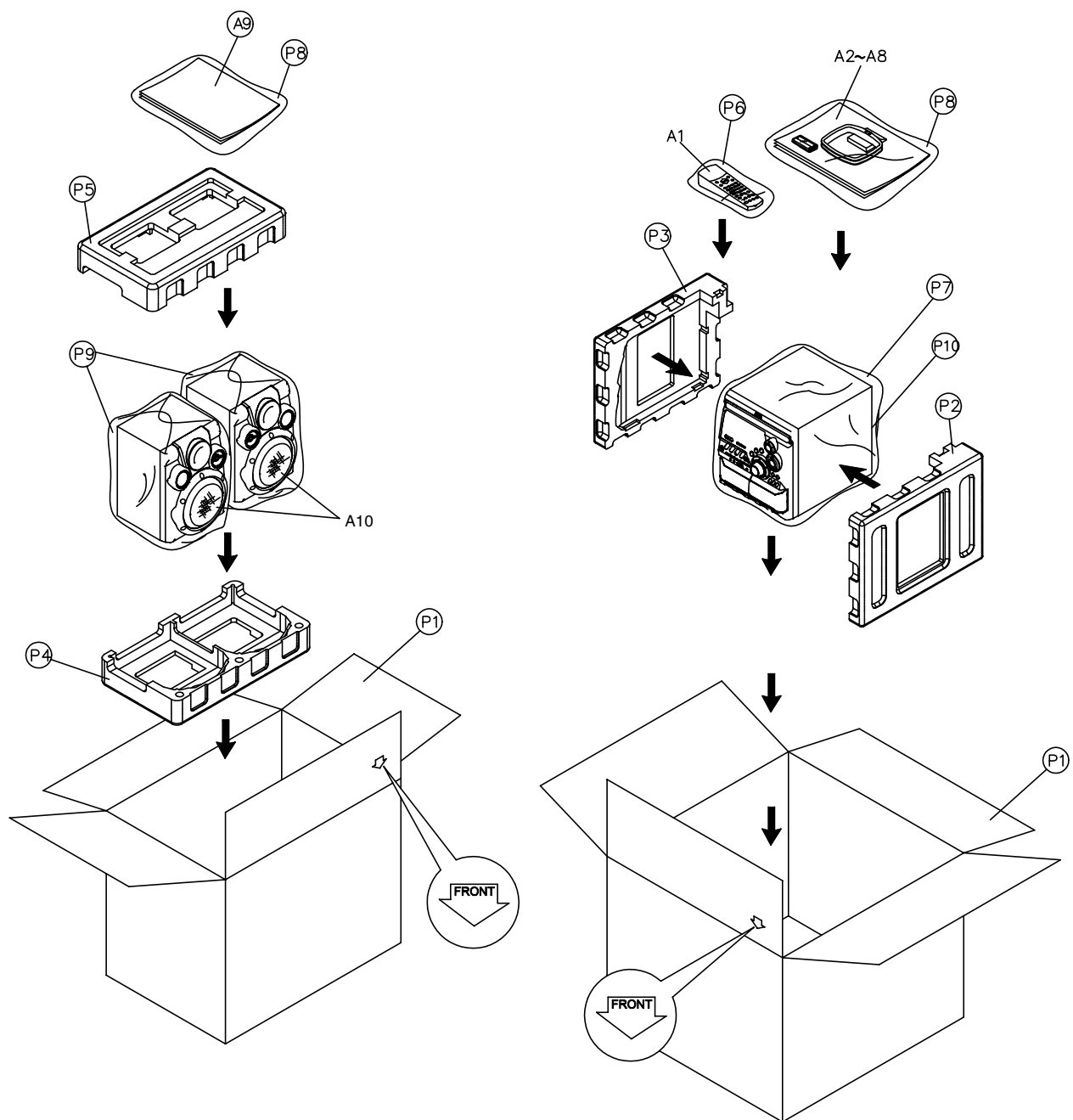
Block No.

M	4	M	M
---	---	---	---

Block No.

M	5	M	M
---	---	---	---

B/E/EN/EV Version



Packing materials and accessories parts list

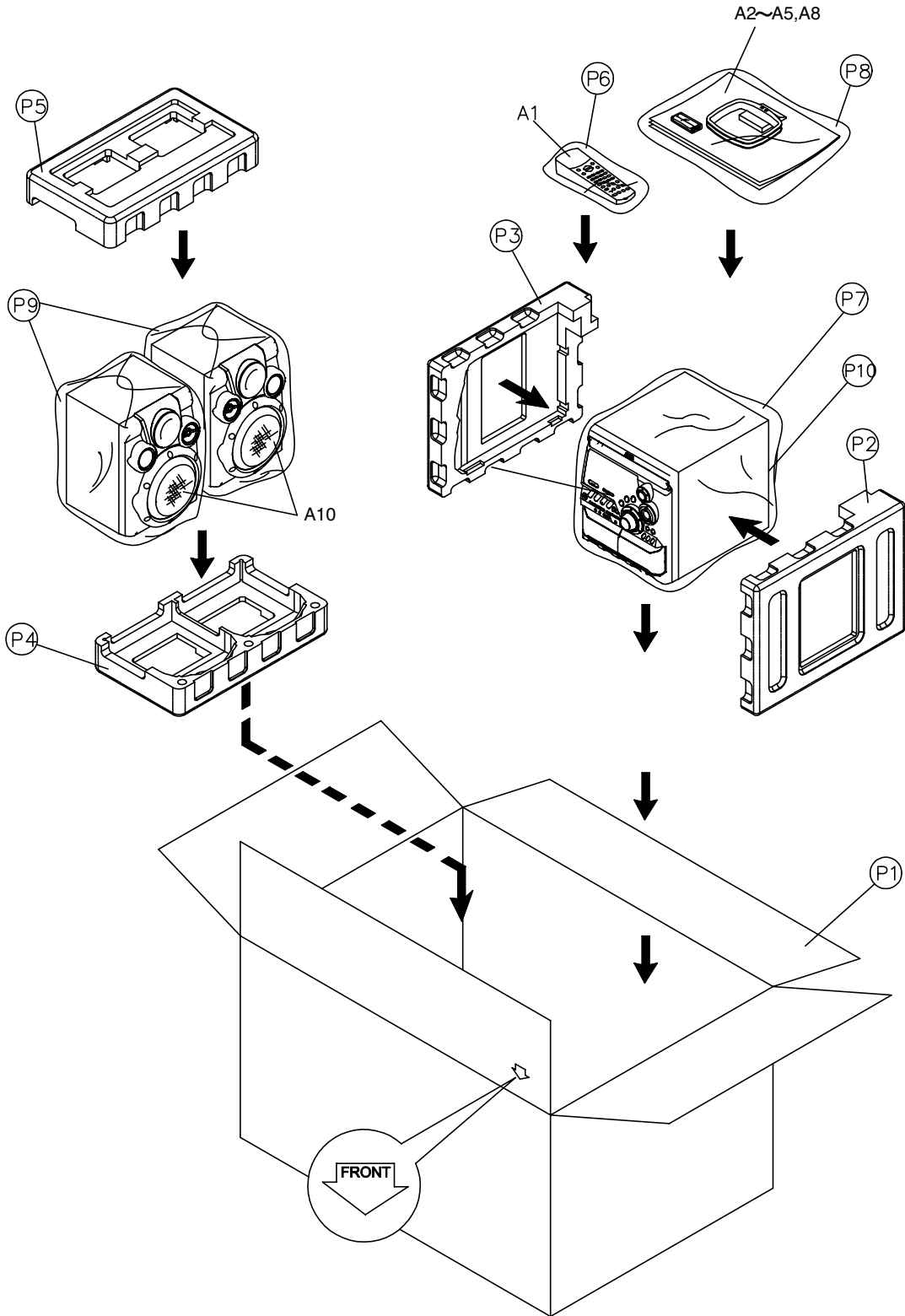
Block No.

M	4	M	M
---	---	---	---

Block No.

M	5	M	M
---	---	---	---

EE Version



Parts list (Packing)

Block No. M4MM

△	Item	Parts number	Parts name	Q'ty	Description	Area
	P 1	GJ560531100101	CARTON	1	FOR SPEAKER	
		GJ560531600101	CARTON	1	FOR UNIT	
		GJ560532300101	CARTON	1	FOR UNIT	EE
	P 2	GJ560531300101	POLYFOAM	1	RIGHT	EE
		GJ560532700101	POLYFOAM	1	RIGHT	
	P 3	GJ560531200101	POLYFOAM	1	LEFT	EE
		GJ560532600101	POLYFOAM	1	LEFT	
	P 4	GJ560531000101	POLYFOAM	1	BOTTOM	
	P 5	GJ560530900101	POLYFOAM	1	TOP	
	P 6	GJ740082550400	POLYBAG	1		
	P 7	GJ740707020300	POLYBAG	1		
	P 8	GJ740362550000	POLYBAG	2		
		GJ740362550000	POLYBAG	1		EE
	P 9	GJ740486230300	POLYBAG	1	FOR SPEAKER	
	P 10	GJ740122550000	POLYBAG	1	FOR UNIT	

Parts list (Accessories)

Block No. M5MM

△	Item	Parts number	Parts name	Q'ty	Description	Area
	A 1	GJA1002034001C	W.LESS REMOCON	1		
	A 2	GJA2052001001C	AM LOOP ANTENNA	1	HST-D4A	
	A 3	-----	BATTERY	1	R6SPTT/2STA	
	A 4	GJ773012730101	INSTRUCTIONS	1	GER FRE DUT	E
		GJ773012870101	INSTRUCTIONS	1	POL HUN CZE	EV
		GJ773012850101	INSTRUCTIONS	1	GER DUT SPA ITA	EN
		GJ773012860101	INSTRUCTIONS	1	RUS	EE
		GJ773012740101	INSTRUCTIONS	1	ENG	B
	A 5	GJ351001432431	FM ANTENNA	1		
	A 6	GJ775000230101	SAFETY INST	1		B
	A 7	GJ775000610101	REGISTRATION C	1		B
	A 8	GJ773030350302	GUARANTEE	1		
		GJ773030360102	WARRANTY CARD	1		
	A 9	GJ773012500101	INSTRUCTIONS	1	FOR SPEAKER	
	A 10	MXK1R-SPBOX-R	SPEAKER BOX	1	R	
		MXK1R-SPBOX-L	SPEAKER BOX	1	L	